



# AMERICANA

## OUTDOORS

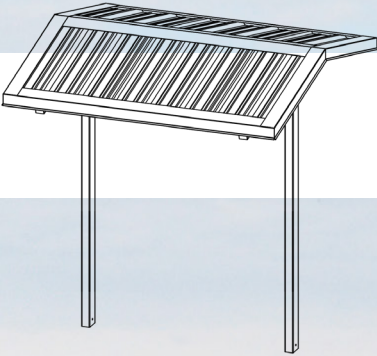
Elements for Life *Outside*®



WWW.AMERICANA.COM



# Gable Roof Shelters







## Cherokee Series

Americana Outdoors' Cherokee provides a mix of functionality and shelter, with its double posts acting as a mount for a display board, bench, or table, while also supporting an aluminum roof.

**Sizes:** Ranging from 8-12' wide and 8-12' long.

**Roof Pitch:** Standard 3/12.

**Structure:** Pre-fabricated, powder coated Steel Frame.

**Frame:** Tubular Steel, or Extruded Aluminum.

**Standard Roof System:**

24" Aluminum "W" Panel with Extruded Aluminum Gutters.

**Optional Roof System:**

36" Galvalume "R" panel with Aluminum Edge Trim, or Optional Gutter.

18" Galvalume Standing Seam Panel with Extruded Aluminum Gutters, or Edge Trim with T&G Wood.

8" Aluminum Roll Formed Flat Panel with Extruded Aluminum Gutters.

**Add-On Accessories:** Bulletin boards, bench, table & bench, double bench.







## Options & Accessories

Whether it's enhancing functionality with thoughtfully crafted benches, fostering a communal atmosphere with inviting tables, or keeping everyone informed with convenient bulletin boards, the Cherokee Shelter adapts effortlessly to your vision.



### Sliding Door Bulletin Board

- Frameless door design for large viewing area
- Showcase lock design
- Smooth rolling on nylon rollers
- Finger pulls



### Hinged Door Bulletin Board

- Acrylic Safety Glass
- Lockable Doors
- Continuous Hinges
- Vented Case for moisture reduction
- Weatherized Rear Panel
- Thick Rubber Door Seal
- Satin Anodized finish clear/ bronze anodized
- Tackable burlap weave vinyl surface



### Aluminum Benches

- 2x10" Extruded Anodized Aluminum Planks
- Optional Powder Coating



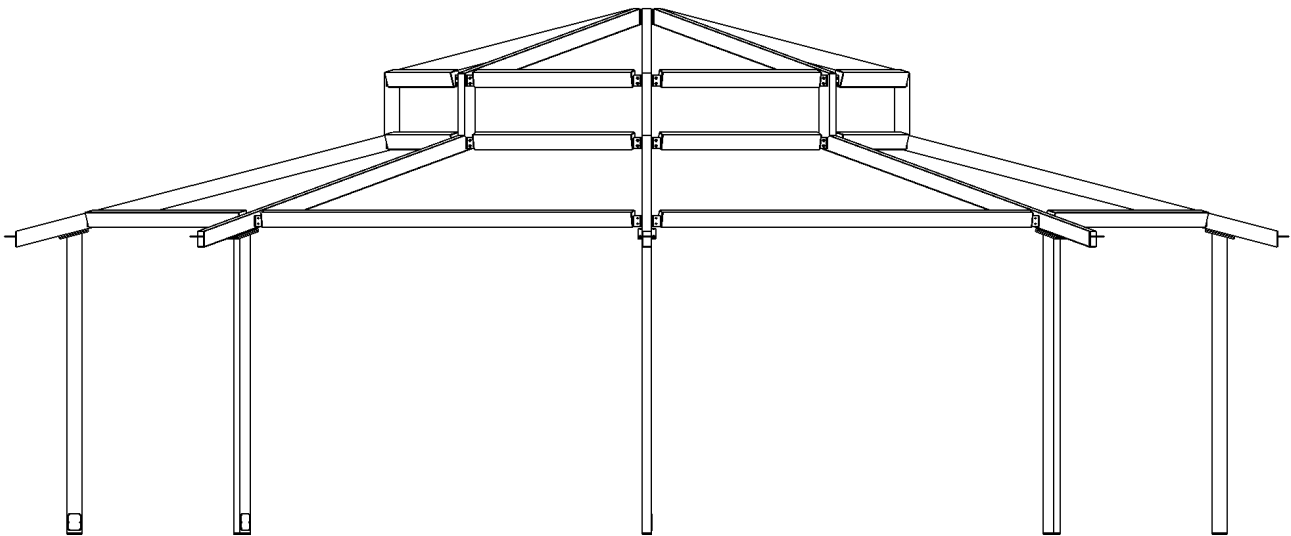
### Aluminum Tables

- 2x10" Extruded Anodized Aluminum Planks
- Optional Powder Coating

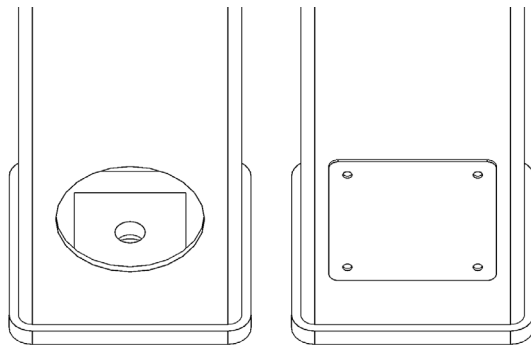


## Frame & Post Style

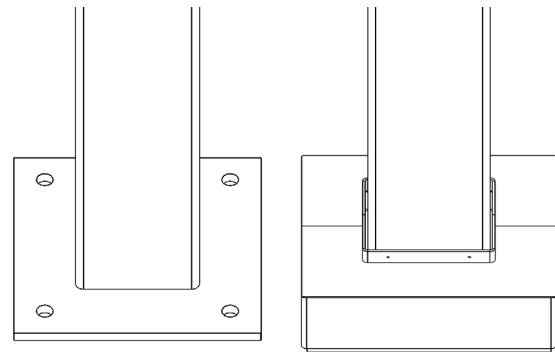
Americana Shelters feature American-made steel tubular frames, pre-drilled for easy bolt-together assembly, and detailed instructions that reduce installation costs. Fasteners are zinc-plated, galvanized, or stainless steel to prevent rust and stains.



## Standard Post Base Plate Connections



Internal Anchor Bolt with Cover Plate



External Anchor Bolts with Optional Cover





## Roof Panel Colors & Options

We take great pride in producing a majority of our roof panel options in-house, which gives us complete control over the quality and production schedule. By doing so, we are able to provide our customers with top-notch products while also passing on cost savings

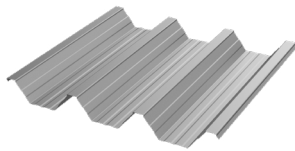
### 24" Aluminum Structural "W" Panel

#### Features:

Structural roof panel designed to limit the amount rafters & purlins per structure.

Best overall value when comparing cost & strength.

Gutters are included for water erosion management.



Coverage Width - 24"  
 Minimum Slope - 1/2:12  
 Thickness - .038" & .024" (560 Anodized Only)  
 Finish - Stucco Embossed  
 Coatings - DuraCoat XT40 Ceranamel  
 Rib Spacing - 8" on center  
 Rib Height - 2-1/2"

Compatible with all model shelters except for Pergola



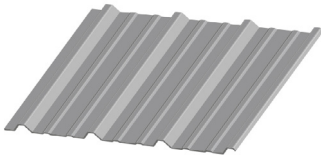
### 36" Galvalume® 26 Gauge "R" Panel

#### Features:

Flush fit for a cleaner, sleeker appearance.

Designed to deter bird roosting.

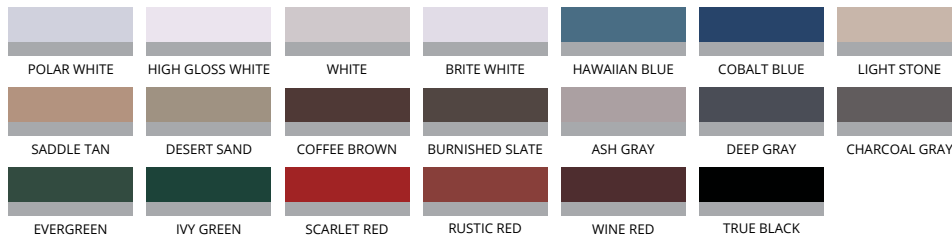
Edge trim is included for a simple & flawless finish.



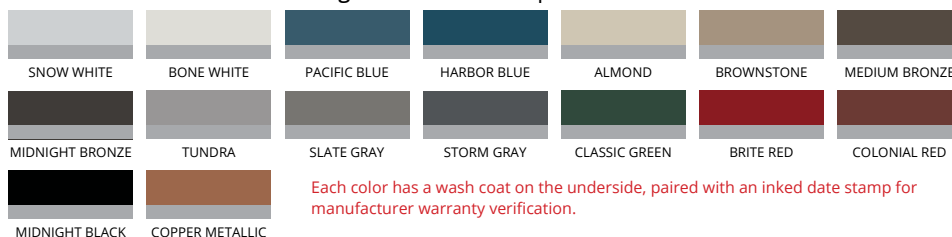
Coverage Width - 36"  
 Minimum Slope - 1/2:12  
 Gauge - 26  
 Finish - Smooth  
 Coatings - Siliconized Polyester (Series 200) | Polyvinylidene Fluoride (Series 300)  
 Rib Spacing - 12" on center  
 Rib Height - 1-1/4"

Compatible with all model shelters except for Meramec, Colonial & Pergola

#### Signature 200 Series | High Gloss



#### Signature 300 Series | Low Gloss



Each color has a wash coat on the underside, paired with an inked date stamp for manufacturer warranty verification.



## Roof Panel Colors & Options

We take great pride in producing a majority of our roof panel options in-house, which gives us complete control over the quality and production schedule. By doing so, we are able to provide our customers with top-notch products while also passing on cost savings

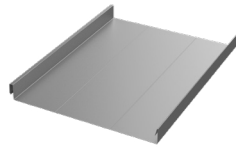
### Features:

Flush fit for a cleaner, sleeker appearance.

— Designed to deter bird roosting.

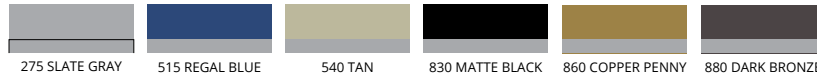
— Gutters are included for water erosion management. Edge trim is standard with tongue and groove wood substructures applications.

### 18" Galvalume® 24 Gauge Standing Seam Panel



Coverage Width - 18"  
 Minimum Slope - 1/2:12  
 Gauge - 24  
 Finish - Smooth  
 Coatings - Siliconized Polyester  
 Rib Spacing - N/A  
 Rib Height - 1-3/4"

Compatible with all model shelters except for Meramec, Colonial, & Pergola



Each color has a wash coat on the underside, paired with an inked date stamp for manufacturer warranty verification.

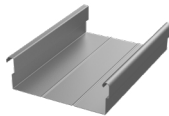
### Features:

Flush fit for a cleaner, sleeker appearance.

— Designed to deter bird roosting.

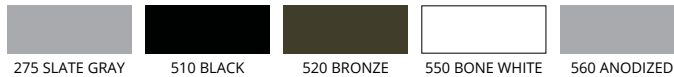
— Gutters are included for water erosion management.

### 8" Aluminum Structural Flat Panel

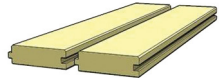


Coverage Width - 8"  
 Minimum Slope - 1/2:12  
 Thickness - .024", .032", & .040"  
 Finish - Smooth Matte Finish  
 Coatings - DuraCoat XT40 Ceranamel  
 Rib Spacing - N/A  
 Rib Height - 2-5/8"

Compatible with all model shelters except for Meramec & Pergola



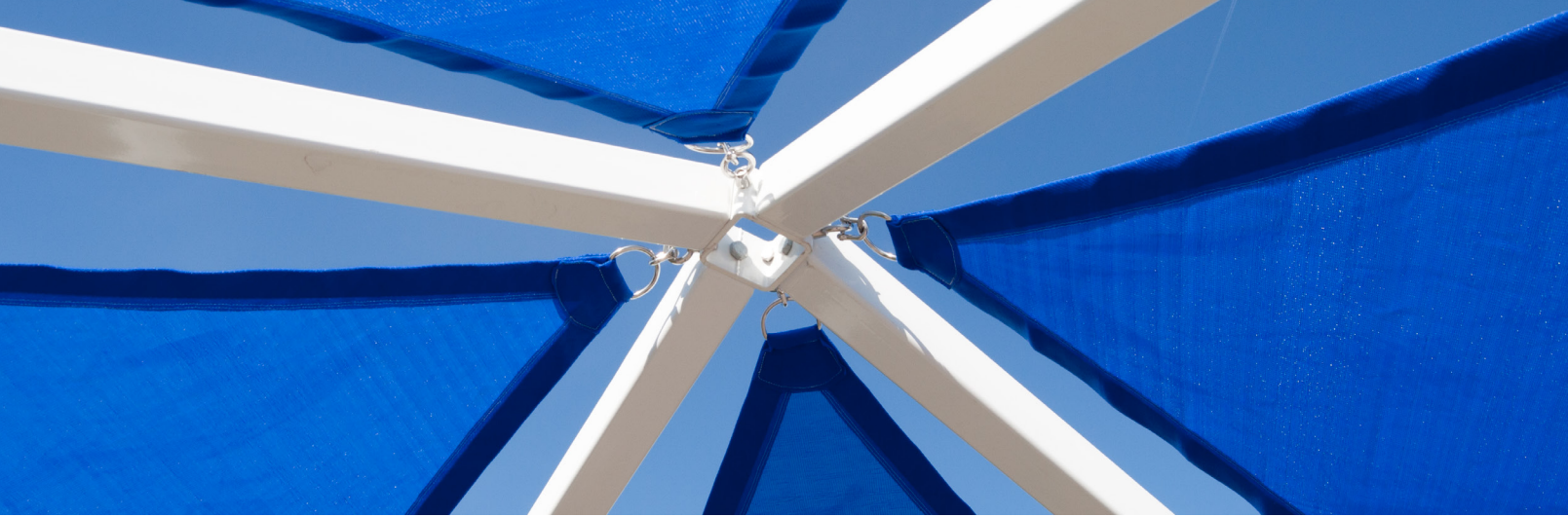
### Tongue and Groove Wood



- 1) Southern Yellow Pine
- 2) Western Cedar

Utilized as sub roofing for shelters using the 18" standing seem panels or shingles.





## Frame & Fabric Color Options

Our Americana Industrial Coatings division enables us to powdercoat all of our products in-house, setting us apart from our competitors. This grants us complete authority over pricing, quality, and production times, allowing us to transfer these benefits to our customers.

### Super Durable Frame Color Options



### Super Durable & Anti Graffiti Frame Color Options







PO Box 1290, Salem IL 62881  
1-800-851-0865, Fax: 1-618-548-2890  
Sales@Americana.com  
www.Americana.com

