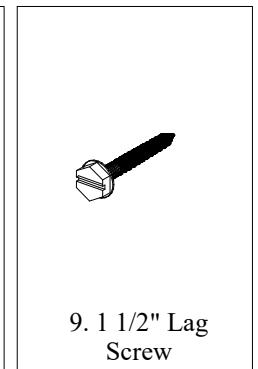
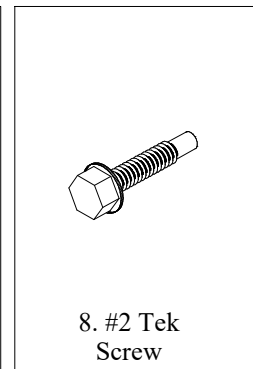
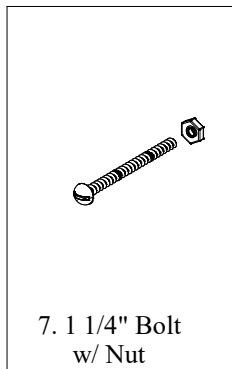
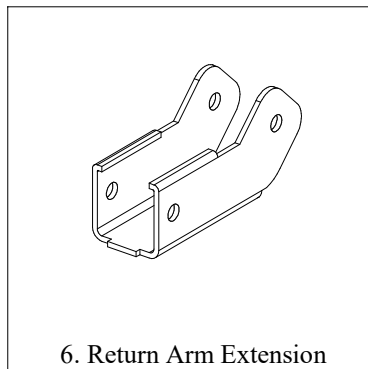
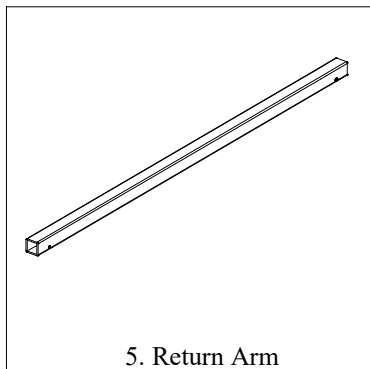
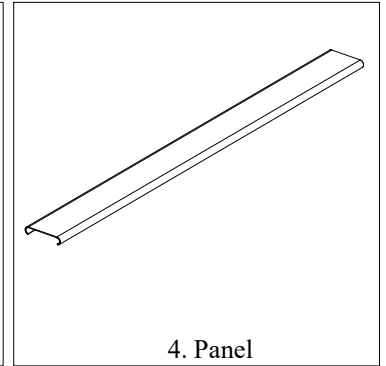
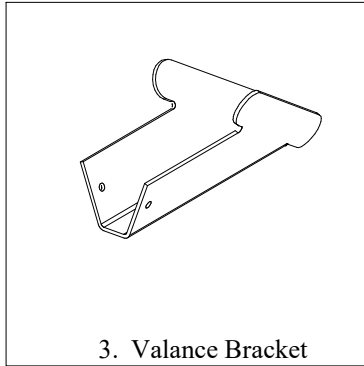
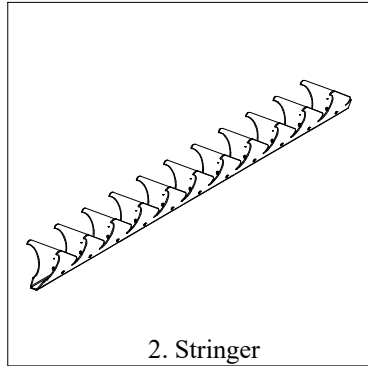
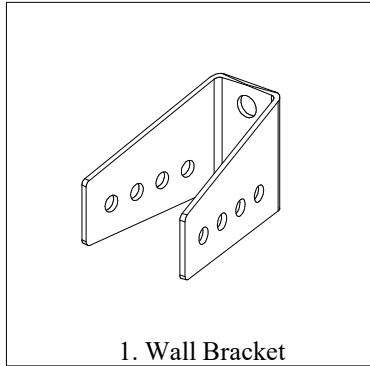


**PARTS LIST:**

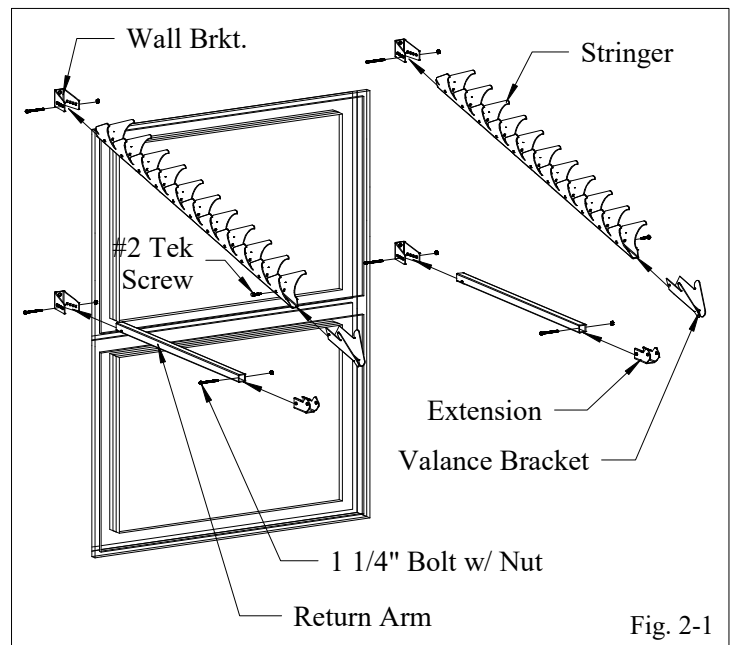
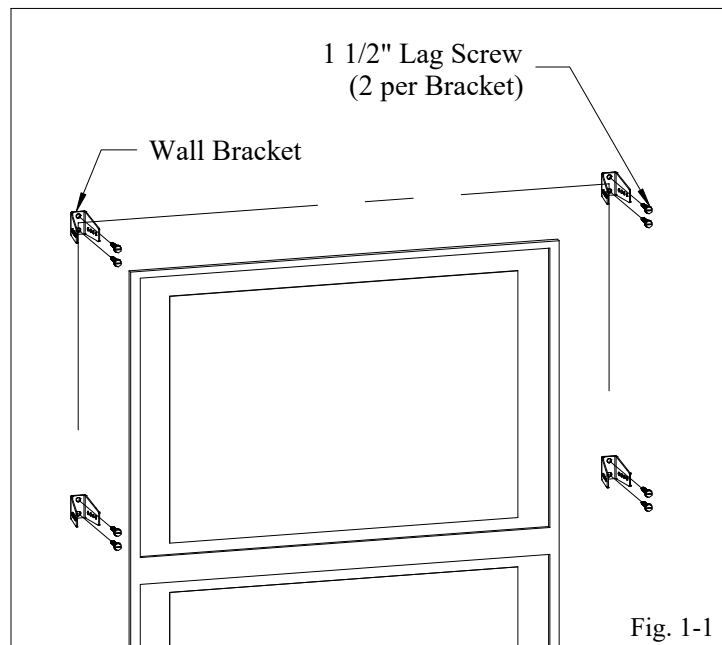


**STEP 1**

Locate wall studs and position Wall Brackets around window. Attach Wall Brackets to wall with 2 - 1 1/2" Lag Screws per bracket as shown (see Fig. 1-1). Note: Lag Screws must hit solid wood. Do Not attach to sheeting, siding, flashing, or any other non-structural surface.

**STEP 2**

Attach Stringer to upper Wall Bracket with 1 - 1 1/4" Bolt w/ Nut per bracket. Attach Return Arm to lower Wall Bracket with 1 - 1 1/4" Bolt w/ Nut per bracket. Attach Valance Bracket to Stringer with #2 Tek screw. Attach Return Arm Extension to Return Arm with 1 - 1 1/4" Bolt w/ Nut per bracket. (see Fig. 2-1)



### STEP 3

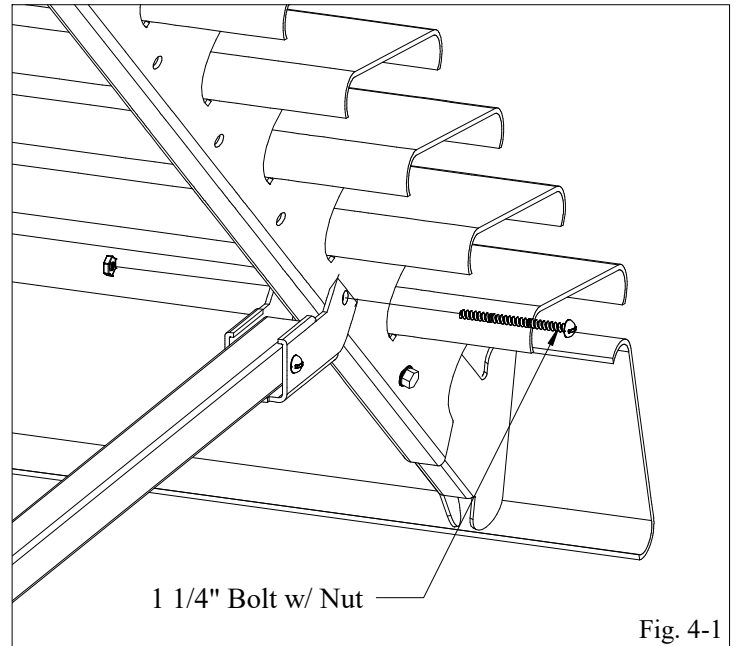
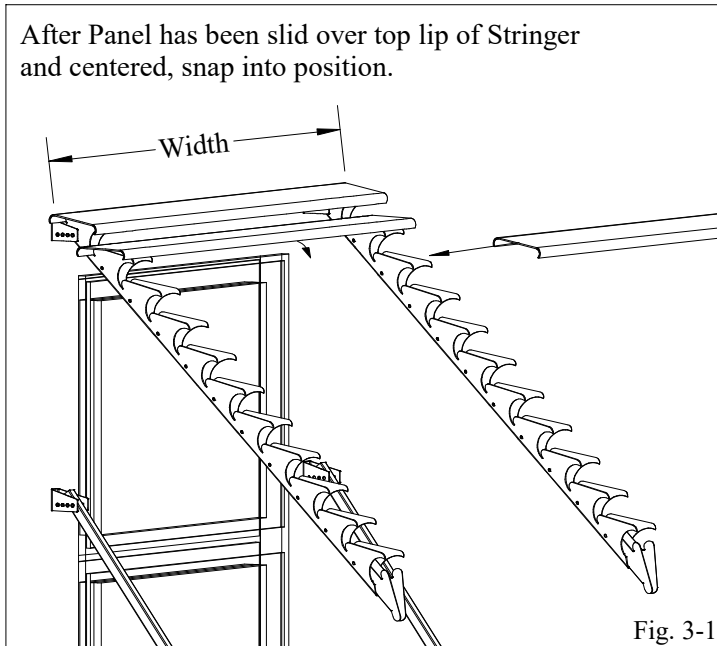
With Stringers hanging against the wall, guide Panels onto one end by hooking the edge of the panel over the top lip of the Stringer. Keeping the Stringers in vertical position, center the panels with equal overlap in respect to the window. Start from the top and work towards the bottom, snapping each panel over the front edge of the Stringer. (see Fig. 3-1)

For longer installations: Panels of different lengths may be snapped together to obtain any width desired. Just slide the back edges of two Panels together to overlap at least 3" and snap together. See additional instructions attached.

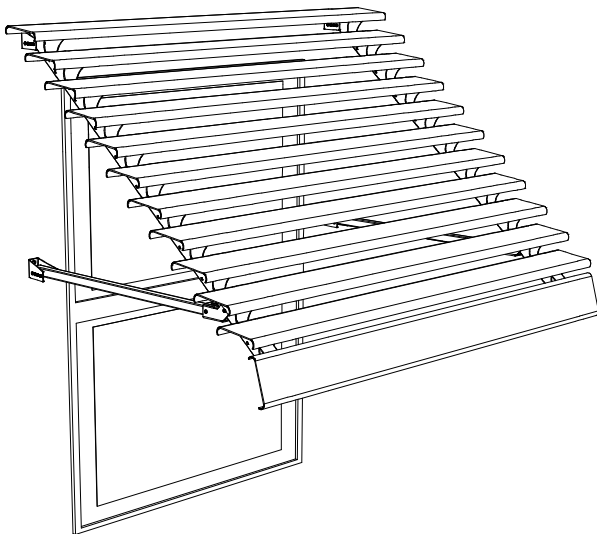
### STEP 4

Attach Return Arm Extension to Stringer with 1 - 1 1/4" Bolt and Nut as shown (see Fig. 4-1).

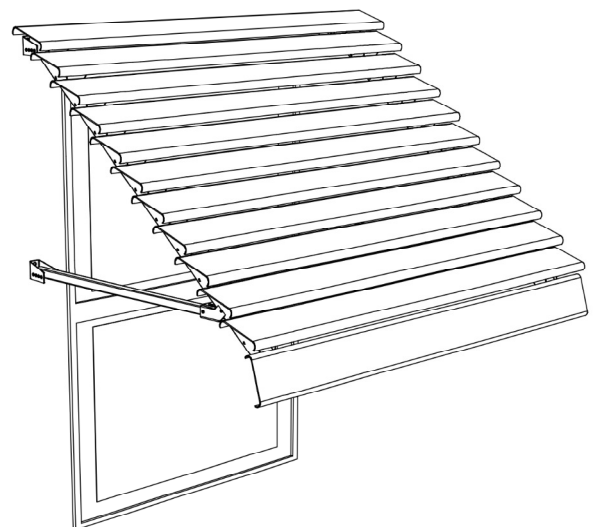
After Panel has been slid over top lip of Stringer and centered, snap into position.



### ASSEMBLY COMPLETED



ALUM-A-VUE



ALUM-A-LINE

Other Products Available from Americana: Fabric & Aluminum Awnings -  
Carports - Patio Covers - Room Enclosures - Park Shelters

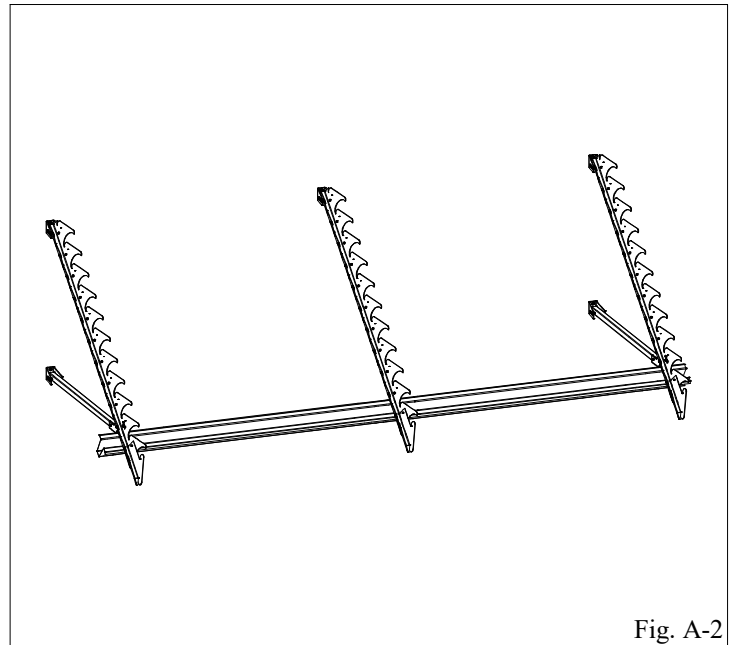
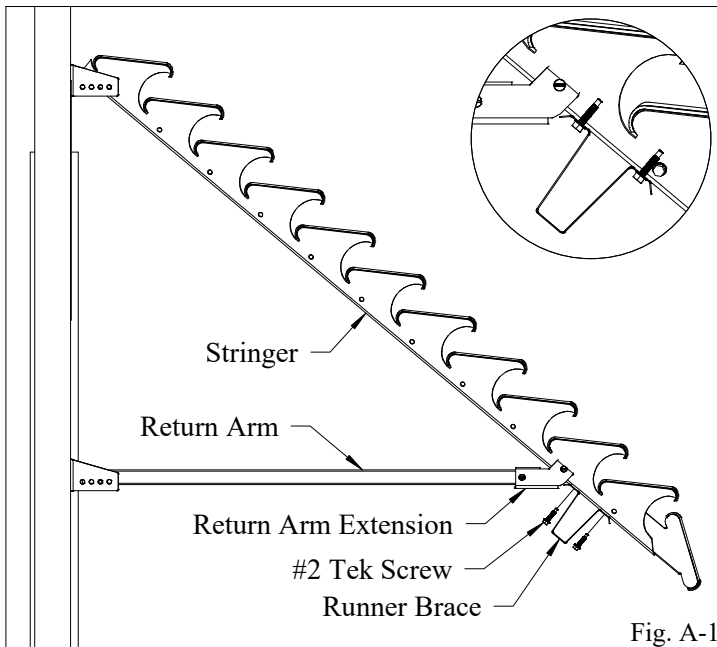
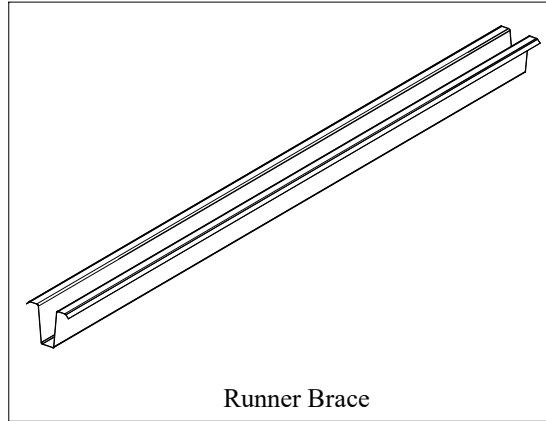
Check Out Our Web Site @ [www.americana.com](http://www.americana.com)

## OPTIONAL: RUNNER BRACE

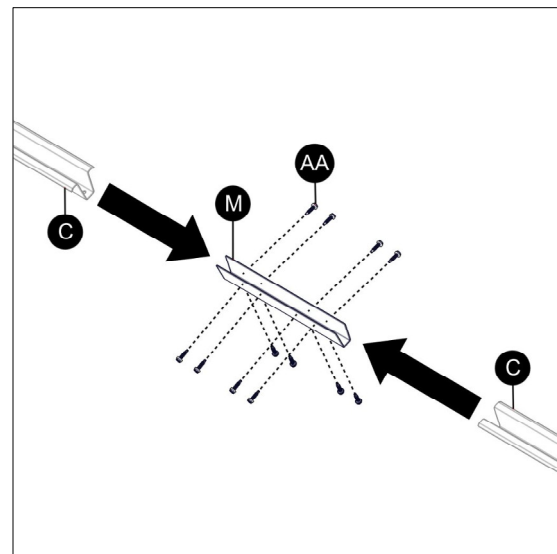
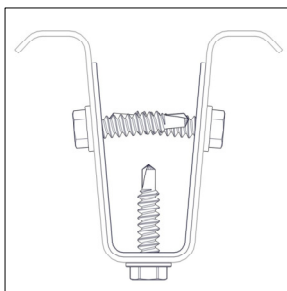
Wider units may require a runner brace to provide extra support. This brace should be the same width as the unit. Position the runner in front of the Return Arm Extension brackets (see Fig. A-1). Attach the runner to each Stringer through both flanges using #2 Tek screws (see Fig. A-1).

### NOTE:

Units under 8'-0" width may not require a Return Arm in the center of the unit (see Fig. A-2). In these cases, the runner brace is required.



To splice runner brace (C), position the provided splice (M) equally inside two pieces of runner. Attach using (12) #8 x 3/4" screws (AA) as shown.



## OPTIONAL: PANEL SPLICE

For longer installations: Panels may be sent that appear to be too short to span the desired width. If this happens, panels may be snapped together to obtain the desired width. Position the back edge of two panels together to overlap a minimum of 3". Hook the back edges together, then roll forward and snap the front edges together. Install the panels as shown in Step 3.

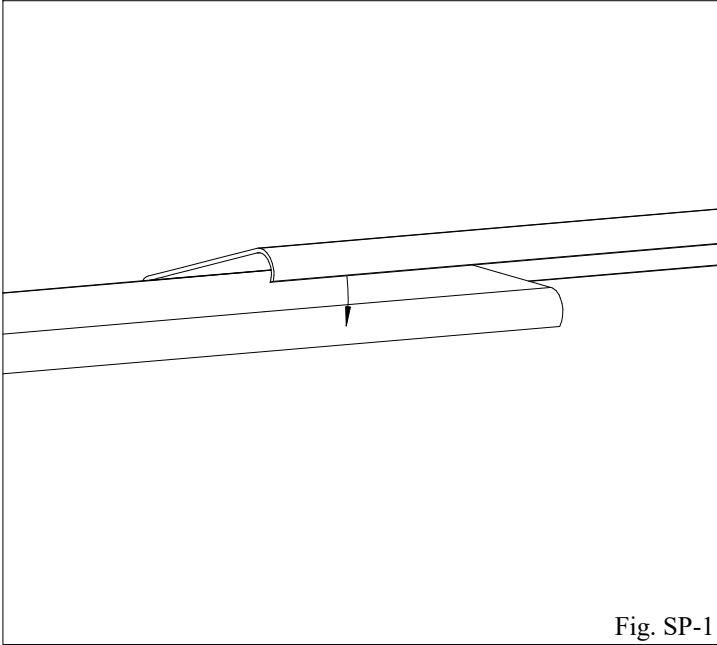


Fig. SP-1

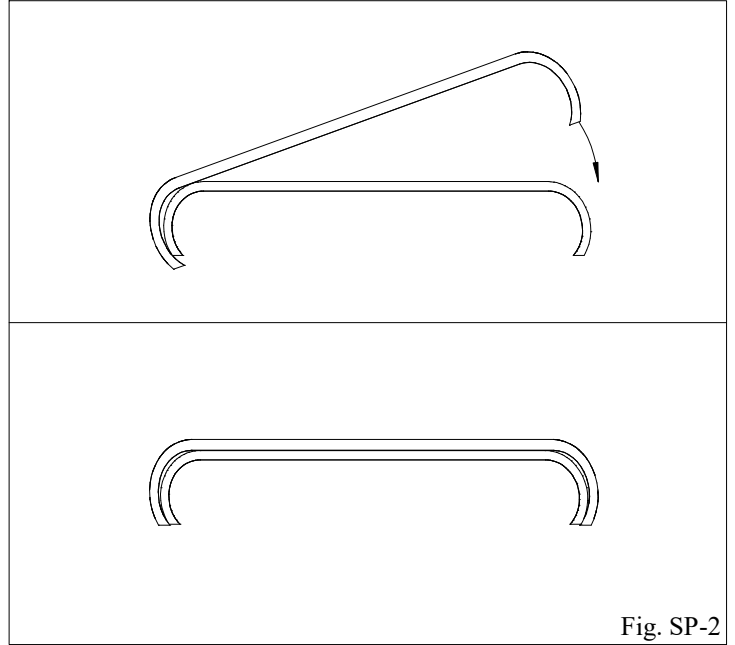


Fig. SP-2

