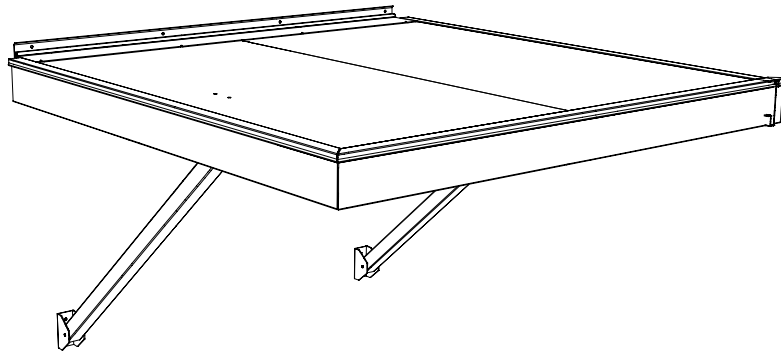




# DOOR CANOPY (4UI SERIES) INSTALLATION INSTRUCTIONS



**Recommended Tools:** Safety Glasses, Tape Measure, Carpenters Level, Framing Square, Hex Head Nut Drivers, Elec. Drill w/ Bits (Masonry Drill, Bits. & Anchors maybe required if securing to Stone, Concrete, or any other masonry unit.)

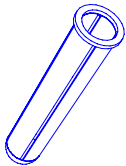
- Before You Begin:**
- 1.) Please read all instructions carefully. Check the Bill of Materials for any missing parts, and gather necessary tools. To prevent scratching of painted materials, place on a tarp, paper, or protective material.
  - 2.) Note that this Door Canopy Kit is not designed to carry additional loads such as hanging heavy plants, swings, people, or other objects.

REV. 3/04/10



## DOOR CANOPY (4UI SERIES) PARTS LIST

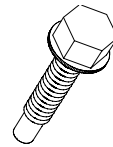
(800)851-0865  
www.americana.com



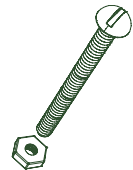
1. Lag Bolt Insert



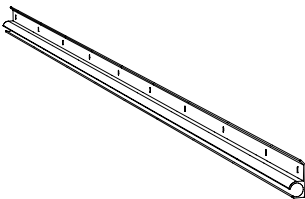
2. 1/4" x 1 1/2" Lag Screw



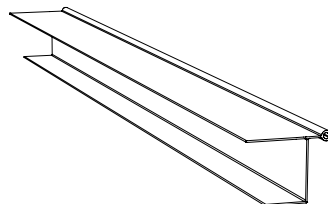
3. #8 x 3/4" Tek Screw



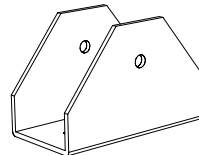
4. 1/4" x 2" & 4" Bolt w/ Nut & Washer



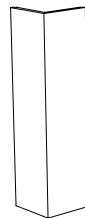
5. Mounting Rail



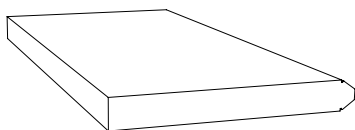
6. Mounting Channel



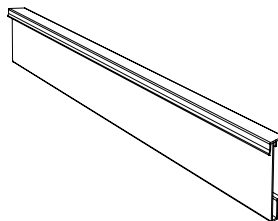
7. Mounting Bracket



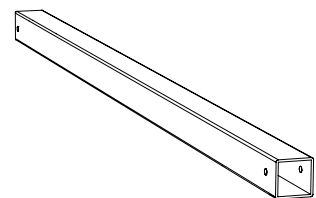
8. Corner Cap



9. Roof Panel



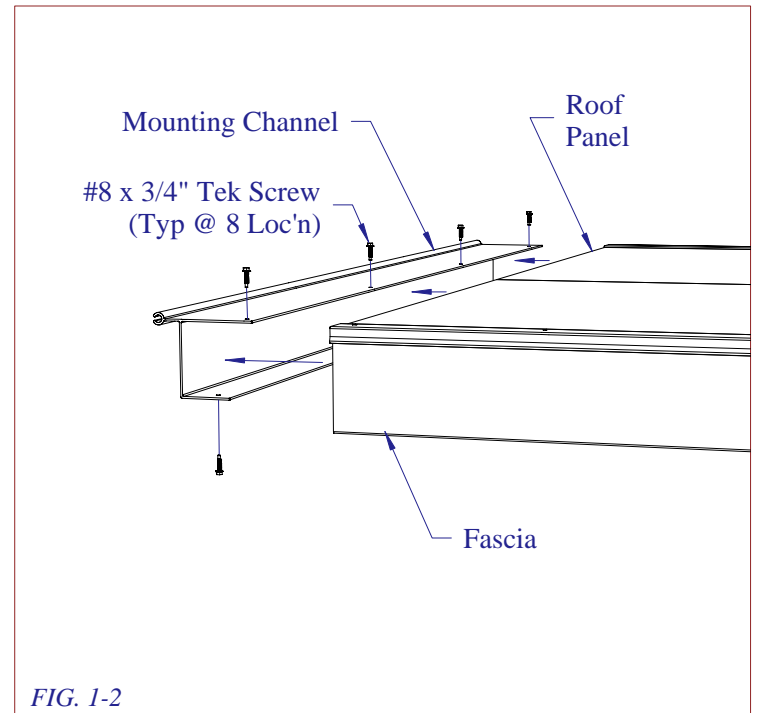
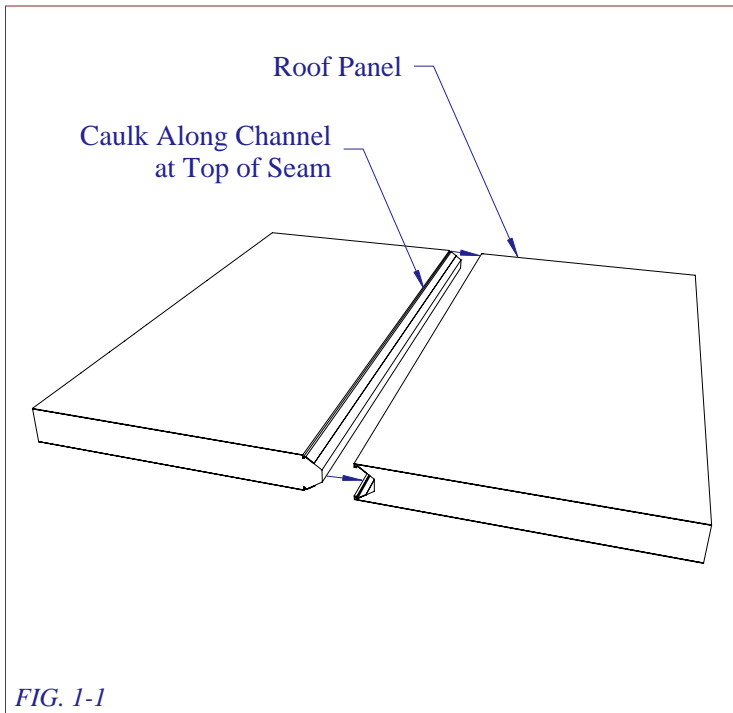
10. Fascia



11. Support Tube

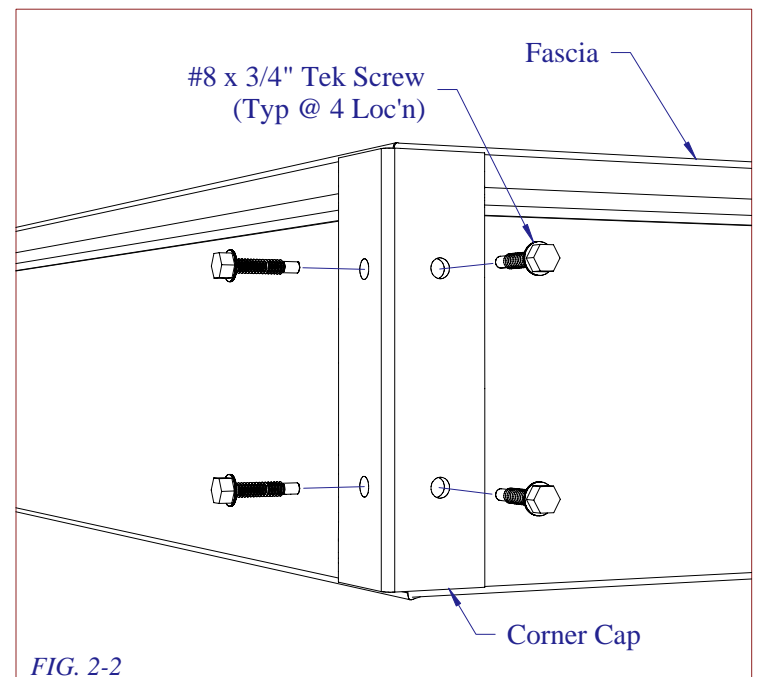
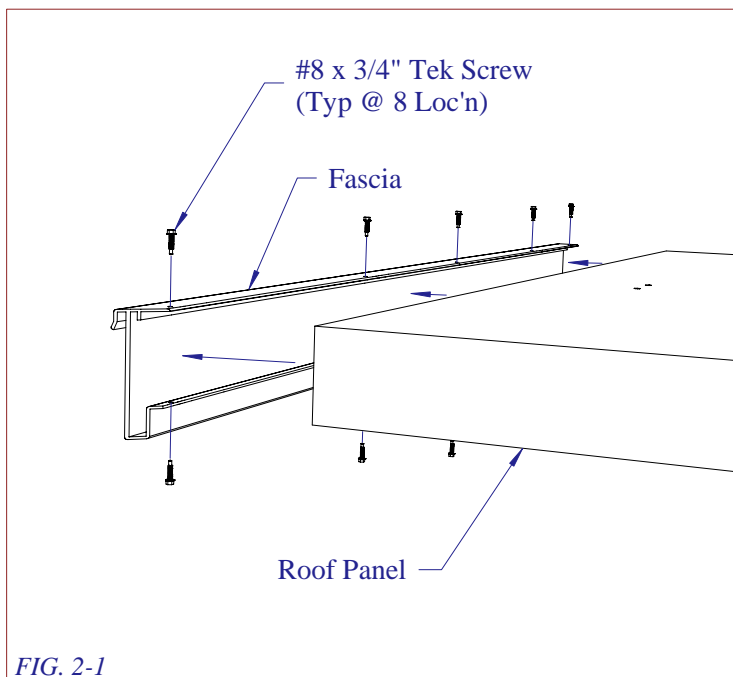
## STEP 1

Apply a generous bead of caulk along the top channel of the roof panel seam. Snap the roof panels together (see Fig. 1-1). Slide the mounting channel onto the rear face of the roof panels and secure using 8 - #8 x 3/4" Tek Screws (4 screws on the top, 4 screws on the bottom) at approximately 12" O.C. (see Fig. 1-2).



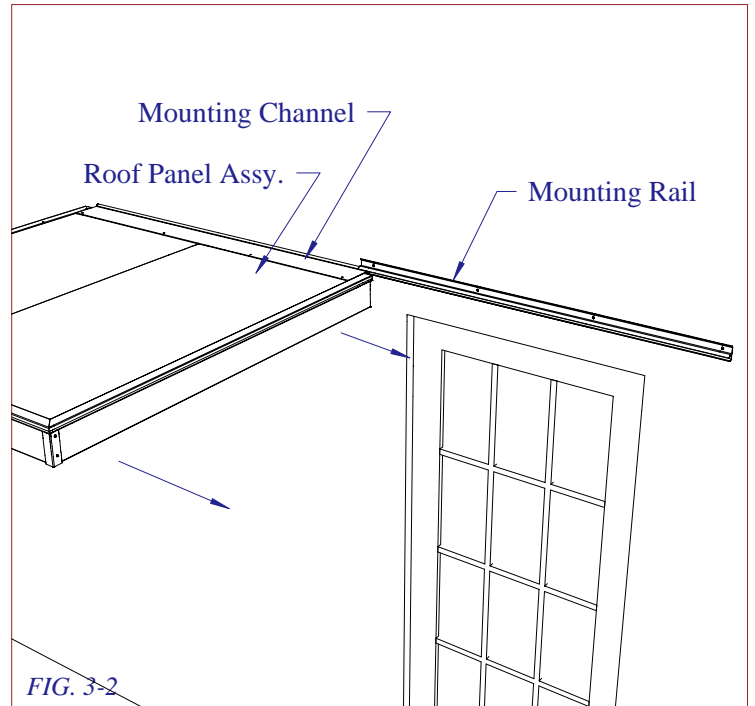
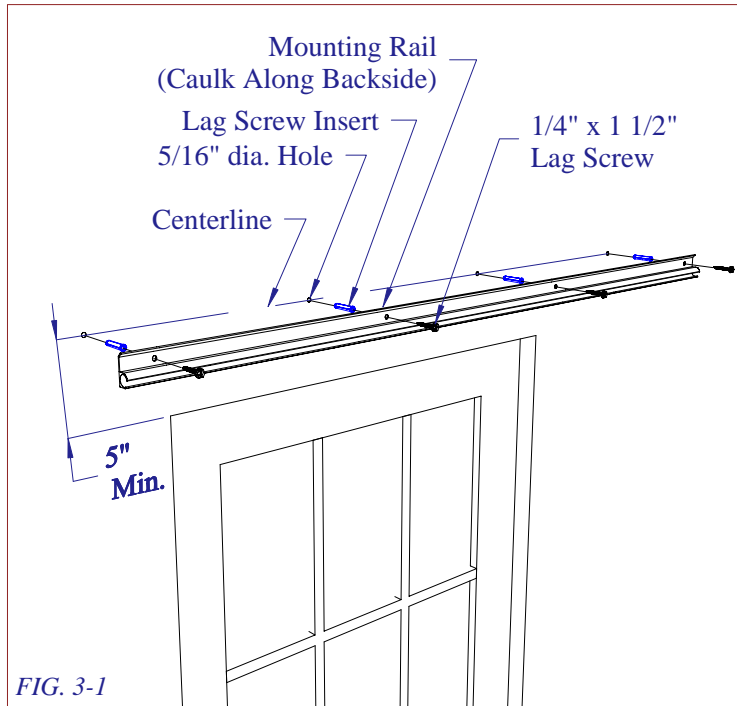
## STEP 2

Attach the front and side fascia to the roof panels using 8 - #8 x 3/4" Tek Screws (4 screws on top, 4 screws on the bottom) per section of fascia at approximately 12" O.C. (see Fig. 2-1). Secure the corner caps to both front corners using 4 - #8 x 3/4" Tek Screws per cap (see Fig. 2-2).



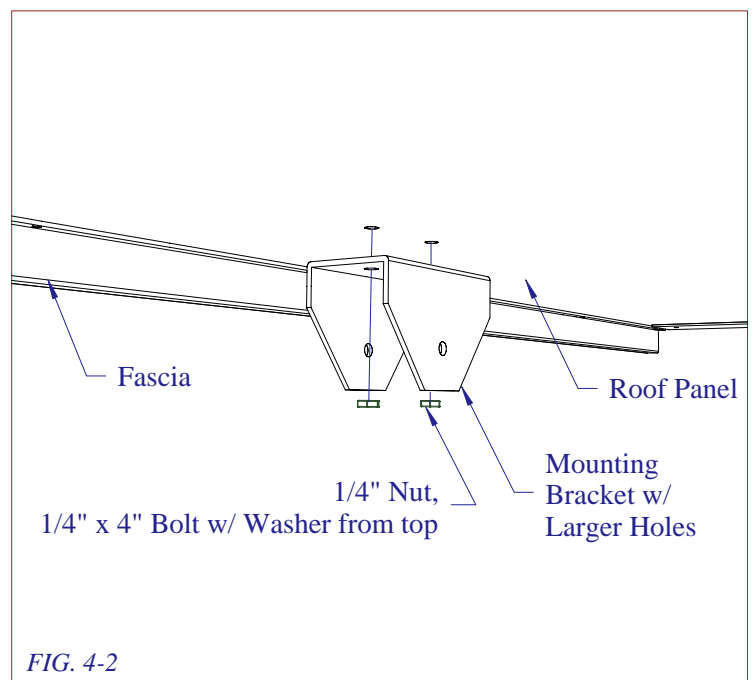
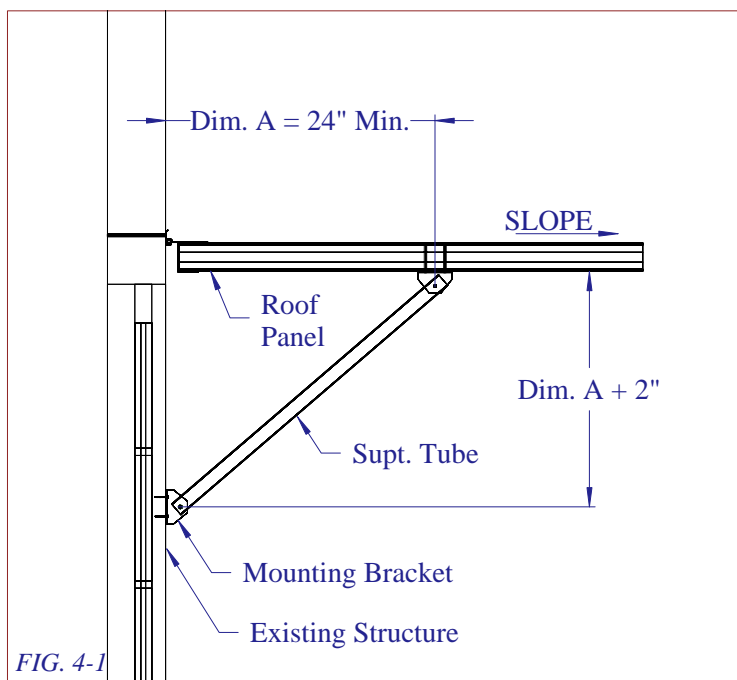
### STEP 3

Center the mounting rail above the doorway a minimum of 5" as to stay clear of an out-swinging door. Mark a level line and predrill 4 - 5/16" dia. holes at approximately 12" O.C. into the existing structure. Insert the lag screw inserts and anchor the mounting rail to the wall using 4 - 1/4" x 1 1/2" Lag Screws. Be sure to mount to a structural member such as a Wall Stud, Joist, Rafter, Etc... (see Fig. 3-1). Hoist the roof panel assembly into place and slide the end of the mounting channel into the end of the mounting rail until both ends are flush (see Fig. 3-2). Temporarily support the roof panels. After the mounting channel is installed, apply caulk to the hinge to prevent water leaks.



### STEP 4

Determine the best location for the mounting brackets along the outside edge of the door way (see Fig. 4-1). Place the upper mounting bracket (w/ larger holes) to the roof panels and predrill 2 - 1/4" dia holes per bracket through the roof panels. Bolt the brackets to the roof panels using 2 - 1/4" x 4" bolts per bracket (see Fig. 4-2).



## STEP 5

Once the lower mounting bracket (w/ smaller holes) is properly located by measuring from the bottom of the roof panels, anchor the mounting bracket to the existing structure using 2 - 1/4" x 1 1/2" Lag screws per bracket (see Fig. 5-1). Measure and cut the support tubes to the desired length allowing the roof panels to slope away from the existing structure. Pre-drill a 1/4" dia. hole in each end of the support tube 1/2" from the end. Fix the support tubes to the mounting brackets using a 1/4" x 2" Bolt w/ nut & washer at each end (see Fig. 5-2).

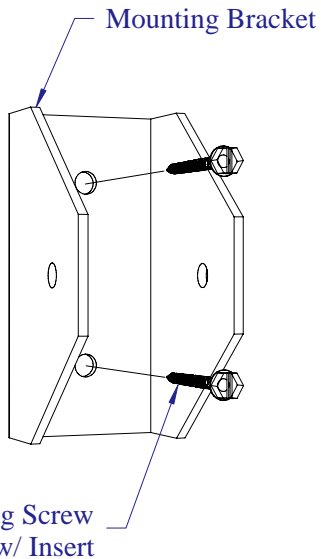


FIG. 5-1

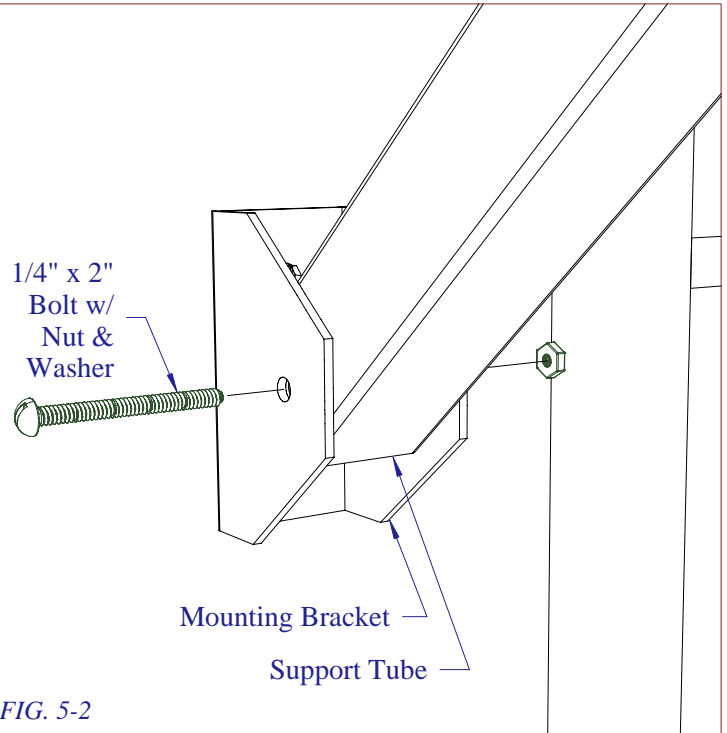


FIG. 5-2

## CONGRATULATIONS! ASSEMBLY COMPLETED

### NOTES

*Other Products Available from AMERICANA BUILDING PRODUCTS:*

Fabric Window Awnings, Aluminum Patio Covers and Window Awnings, Glass Enclosures, Screen Enclosures, Park Shelters, Aluminum Railings & Columns, Retractable Fabric Awnings & More!