

## **GENERAL NOTES**

### **ASSEMBLY & ERECTION**

- THIS SHADE STRUCTURE IS NOT DESIGNED TO SUPPORT ADDITIONAL LOADS SUCH AS SWINGS, PEOPLE, AND OTHER OBJECTS.
- REMOVE ALL REFUSE FROM DRILLING, FIELD CUTTING, ETC. BEFORE COMPLETION OF ASSEMBLY TO PREVENT DAMAGE TO THE SURFACE FINISH.
- ALL REASONABLE CONSTRUCTION SAFETY & HEALTH STANDARDS SET FORTH BY THE OCCUPATIONAL SAFETY AND HEALTH ADMINISTRATION (OSHA) SHOULD BE OBSERVED DURING THE ERECTION AND ASSEMBLY OF THIS SHADE STRUCTURE.
- FOLLOW YOUR DETAILED ASSEMBLY INSTRUCTIONS FOR PROPER ASSEMBLY.
- TO PROTECT PAINTED MATERIAL LAYOUT ALL PARTS & PIECES ON A TARP, PAPER, OR OTHER PROTECTIVE MATERIAL.

### **RECOMMENDED INSPECTION & MAINTENANCE**

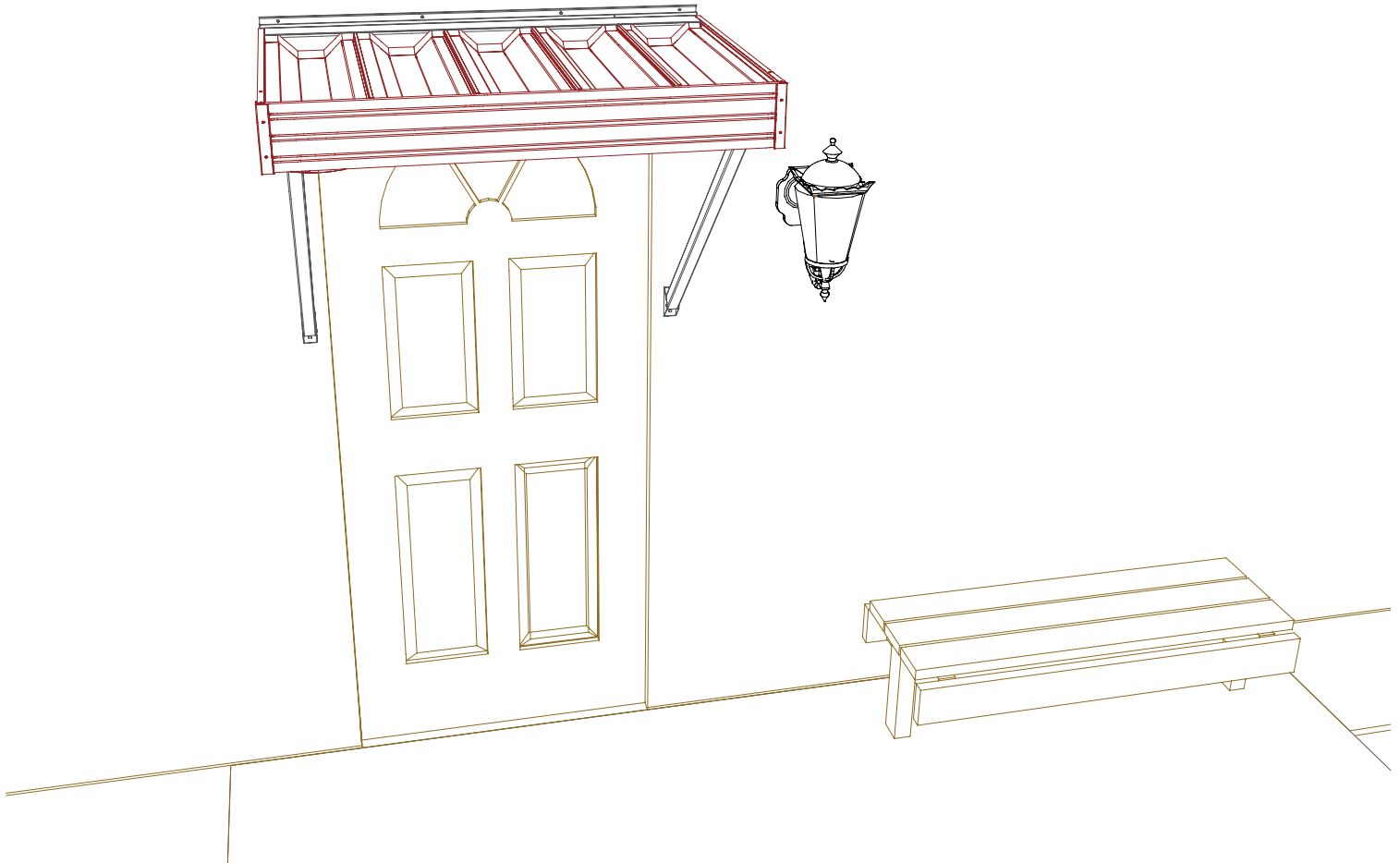
- EVERY 12 MONTHS YOUR SHADE STRUCTURE SHOULD BE INSPECTED & MAINTAINED BY:
  - TIGHTENING LOOSE NUTS & BOLTS AT ALL CONNNECTIONS (ANCHOR BOLTS, COLUMN-TO-RAFTER BOLTS, RAFTER-TO-RIDGE BEAM/TIE BLOCK, PURLIN-COLUMN, ETC.)
  - REPAIRING DAMAGE TO FINISH AS TO PREVENT CORROSION
  - REPLACING LOST OR DAMAGED FASTENERS, BRACKETS AND OTHER PARTS
  - REPLACING BRITTLE OR CRACKED SEALER TO PREVENT LEAKAGE.
  - REMOVING OBSTRUCTIONS AND MISCELLANEOUS BUILD UP FROM GUTTERS, EAVES, & DOWNSPOUTS.

### **WARRANTY**

- LIMITED LIFETIME WARRANTY ON ALUMINUM AGAINST MATERIAL FAILURE AND CORROSION.
- 25 YEAR LIMITED WARRANTY ON STEEL AGAINST MATERIAL FAILURE AND DEFECTS.
- 10 YEARS LIMITED WARRANTY THAT THE FABRIC WILL NOT DEGRADE, CRACK, OR SHOW EVIDENCE OF MATERIAL BREAKDOWN RESULTING FROM ULTRA VIOLET EXPOSURE. NO WARRANTY AGAINST FADING.
- 5 YEAR LIMITED WARRANTY ON POWDER COATING FINISH
- AMERICANA WILL NOT BE RESPONSIBLE FOR DAMAGES CAUSED BY OTHERS, BUILDING SETTLEMENT, CORROSION BY MOISTURE, CHEMICAL AND POLLUTION, OR ACTS OF GOD, USE, LACK OF MAINTENANCE, OR INCORRECT INSTALLATION.
- KEEP THIS PAGE ON FILE FOR LATER REFERENCE.



## OZARK DOOR CANOPY ASSEMBLY INSTRUCTIONS



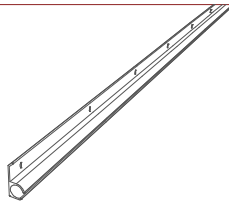
***Recommended Tools:***

Level, Pliers, 3/8" Electric Drill, Carpenters Square, Tape Measure, Metal Hack Saw, Silicone Caulking, Screw Drivers (Regular & Phillips)

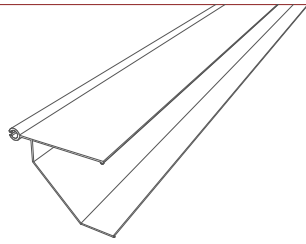
***Before You Begin:***

- 1.) Please read all instructions carefully. Check the Bill of Materials for any missing parts, and gather all necessary tools. The paint finish can be scratched so place materials on tarp or cardboard to prevent scratching.
- 2.) Note that this patio cover kit is not designed to carry additional loads such as hanging plants, swings, people, trellis's, or other objects.

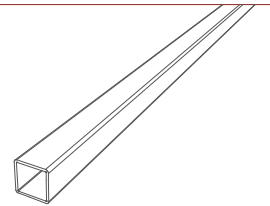
OZARK DOOR CANOPY  
PARTS LIST



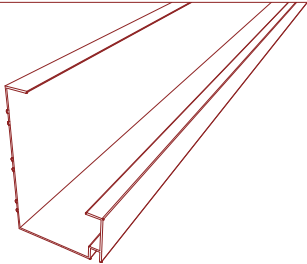
1. Awning Rail



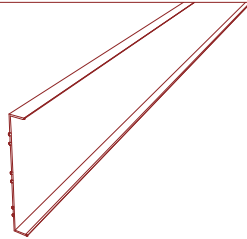
2. Wall Mounting Channel



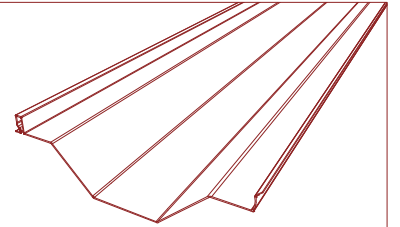
3. 1 1/2" x 1 1/2" Post



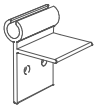
4. Front Gutter



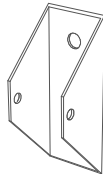
5. Side Fascia



6. Roof Panel



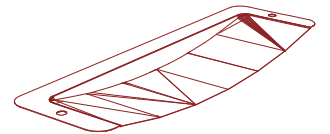
7. Top Post Bracket



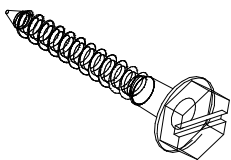
8. Bottom Post Bracket



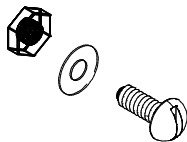
9. Corner Cap



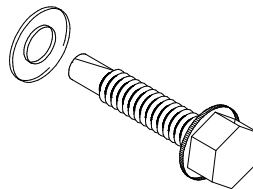
10. Scupper



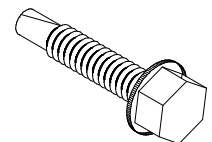
11. 1 1/2" Lag Screw



12. #8 - 32 x 1/2"  
Bolt, Nut, & Washer



13. #14 x 3/4"  
Tek Screw with Washer



14. #8 x 3/4"  
Tek Screw

## STEP 1.

- Drill 1/4" dia. holes beginning 2" from either end at 12" to 16" on center in awning rail as shown (see Fig. 1-1).
  - Slide awning rail onto wall channel and apply a generous bead of silicone to backside of awning rail (see Fig 1-1).
- Note: Center to center dimension of 1/4" holes is determined by location of wall studs or other structural member that the awning must be anchored to. Do not attach awning to sheeting, siding, flashing, or any other non-structural surface.
- After the mounting channel is installed, apply caulk to the hinge to prevent water leaks.

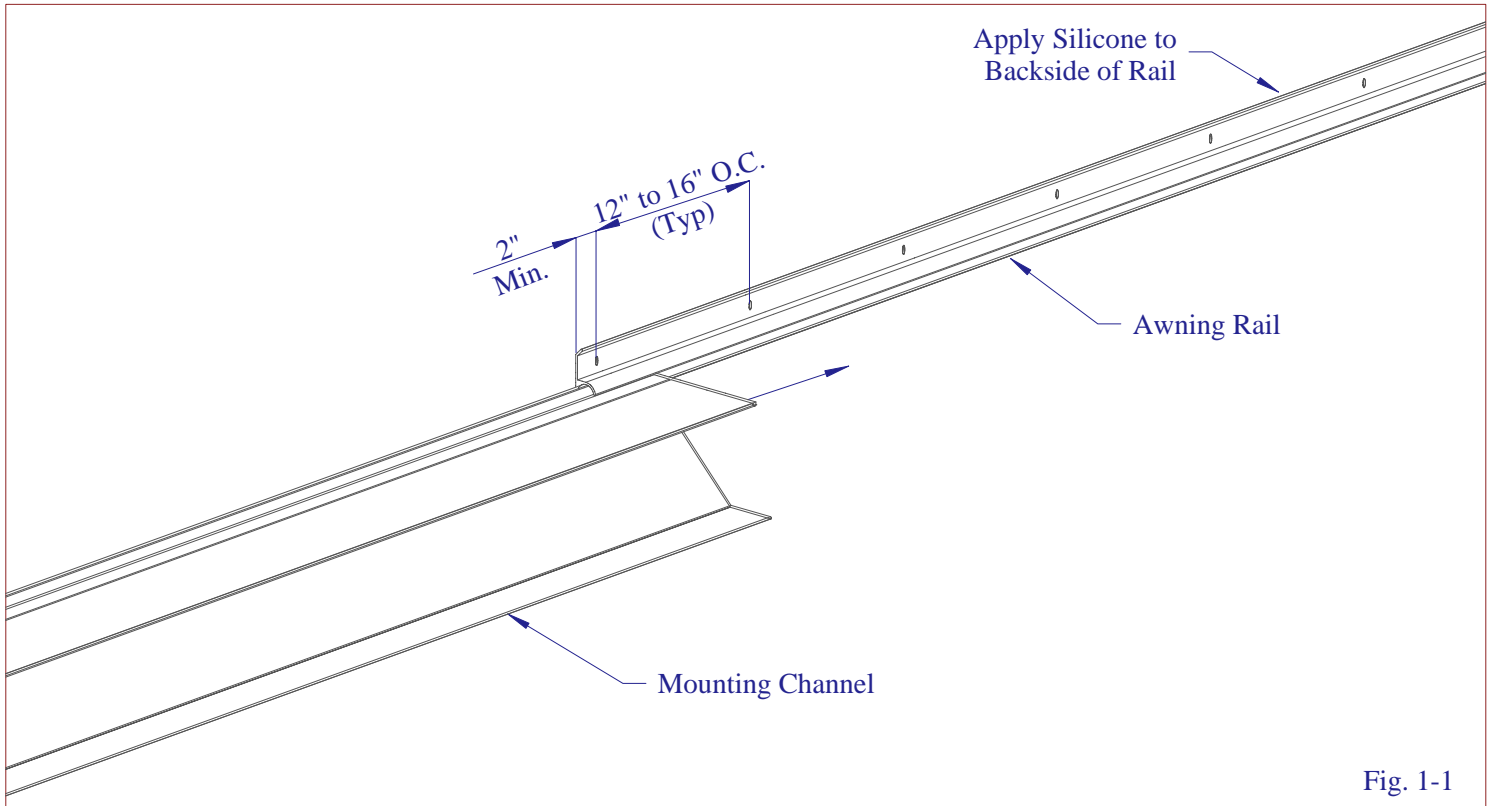


Fig. 1-1

- Mark a level line a minimum of 5 1/2" above out-swinging door.
  - Align holes in awning rail with level line, and attach awning rail / mounting channel assembly to existing structure with 1 1/2" lag screws (see Fig. 1-2).
- NOTE: If attaching patio cover to concrete or masonry unit, a masonry drill, bit, and anchors are required.

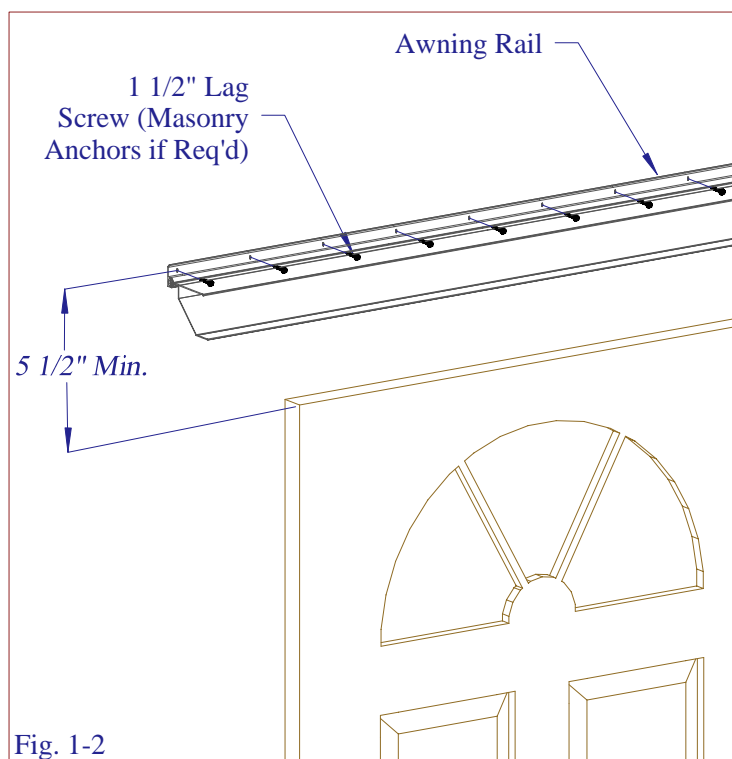
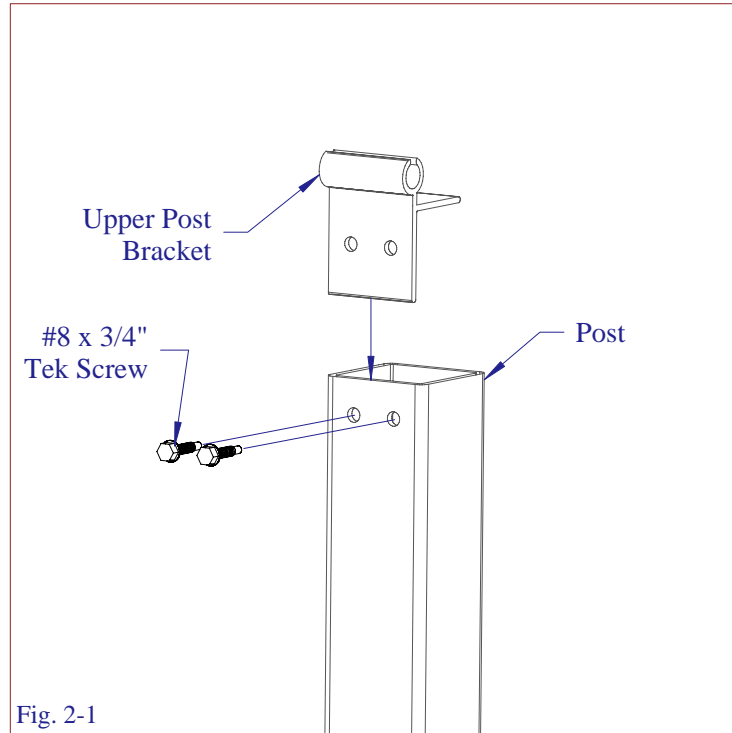


Fig. 1-2

## STEP 2.

-Attach post brackets to top of post using 2 - #8 x 3/4" Tek Screws (see Fig. 2-1).

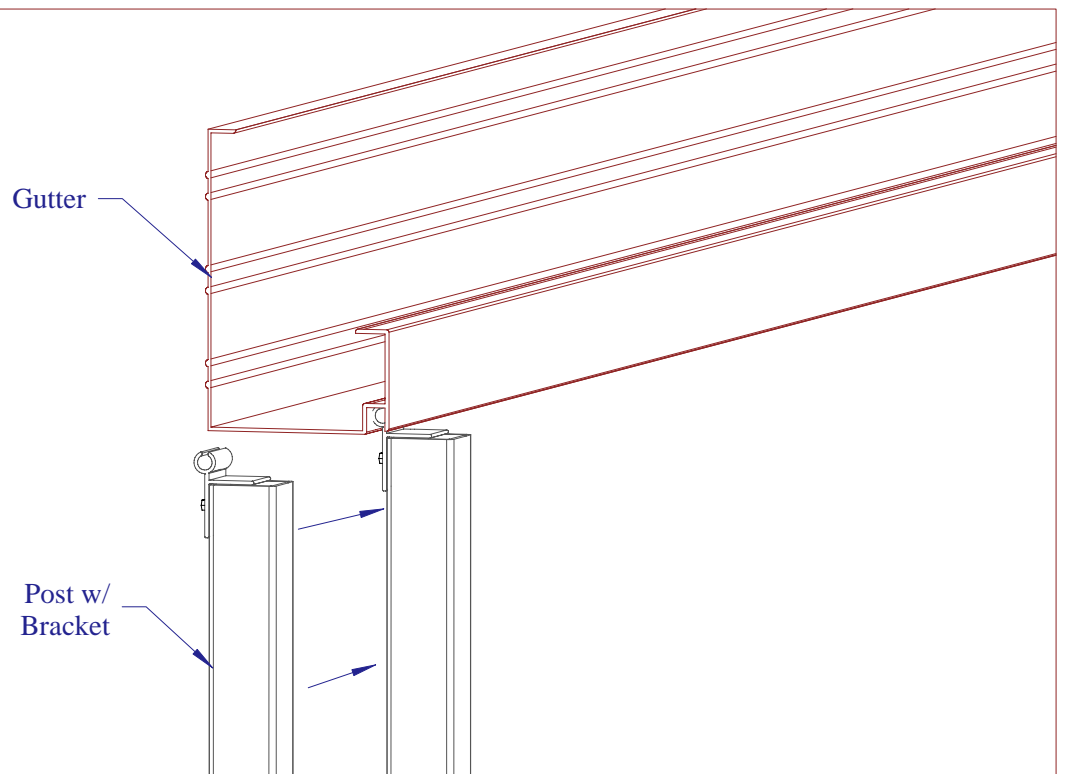


-Cut post to proper length. Posts must reach from front gutter at desired angle back to the structure.

-Be sure to give the cover a subtle slope to drain water towards the front gutter.

-Slide post and bracket into bottom side of gutter and arrange posts spaced evenly from the ends of the gutter (see Fig. 2-2).

-Open part of post bracket must face upwards toward the cover.



### STEP 3.

- Use a ladder with any type of shim to support the front of the roof panels while the rear half is attached to the wall channel (see Fig 3-1).
- Do not secure front half of roof panels to gutter until all roof panels are attached to wall channel.
- Working from underneath, attach roof panels to the wall channel with #8 - 32 x 1/2" bolt with nut and washer (see Fig. 3-2).
- After roof panel is secure, apply silicone to four faces of the styrofoam flashing plug and fit it between the mounting channel and roof panel (see Fig. 3-2).

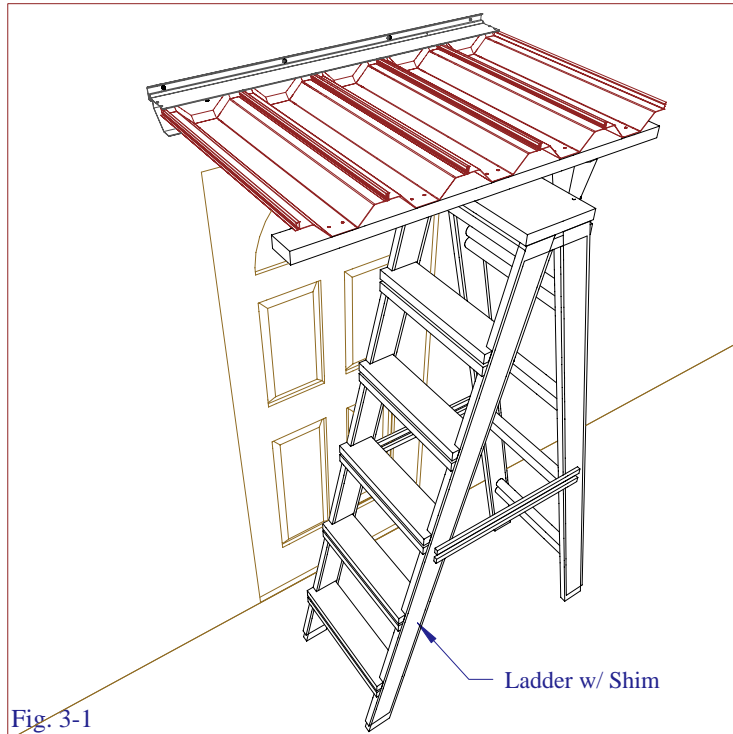


Fig. 3-1

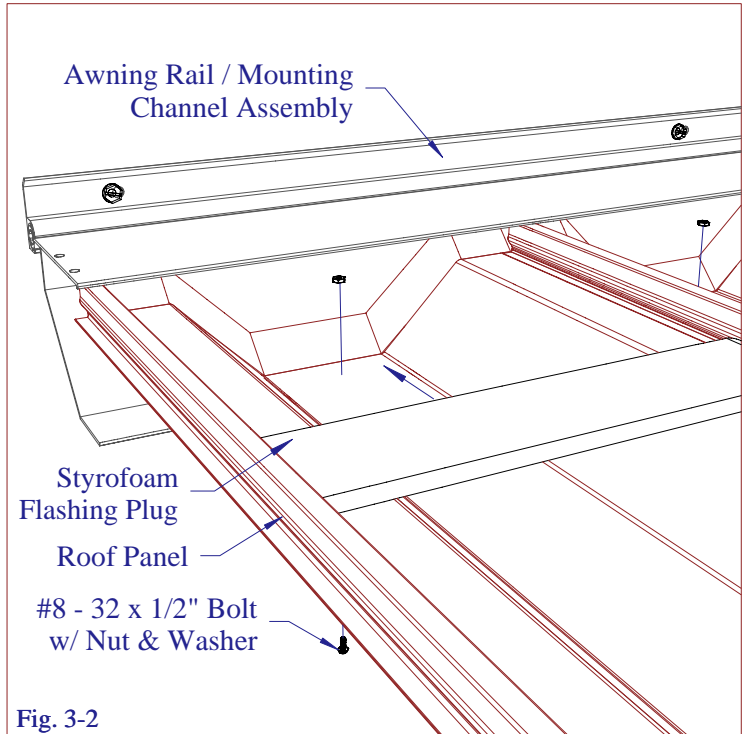


Fig. 3-2

- Once roof panels are secured to wall channel, move the gutter to the front of roof panels.
- Square the entire unit and tighten all screws.
- Connect roof panels to the gutter using 2 - #8 x 3/4" Tek screws per panel as shown (see Fig. 3-4).
- Square cover again and tighten all screws.

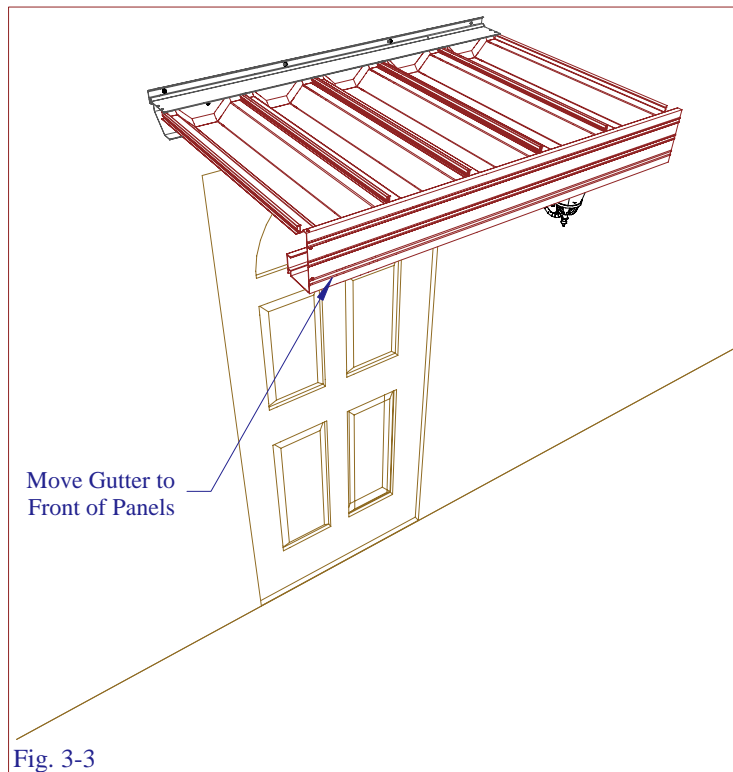


Fig. 3-3

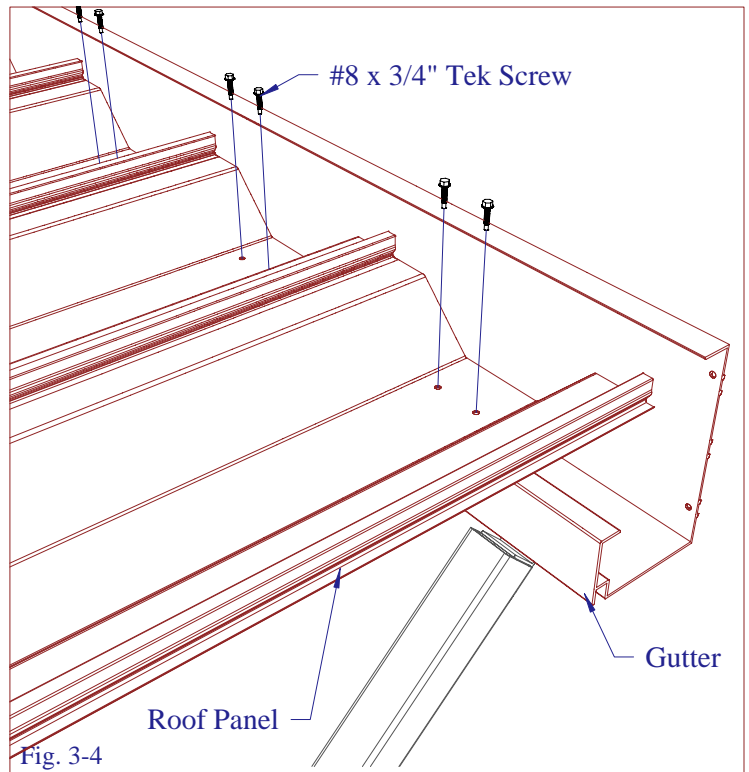
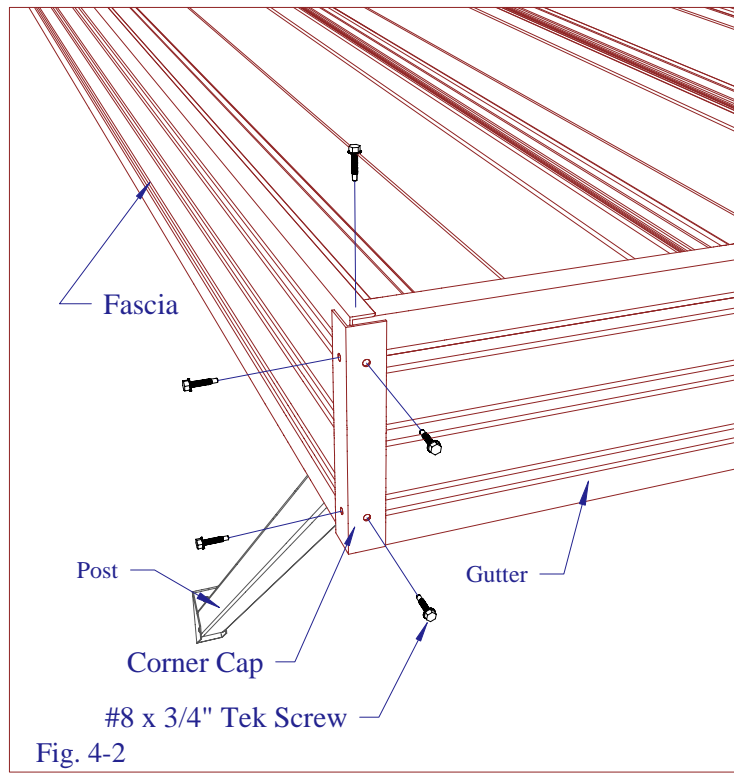
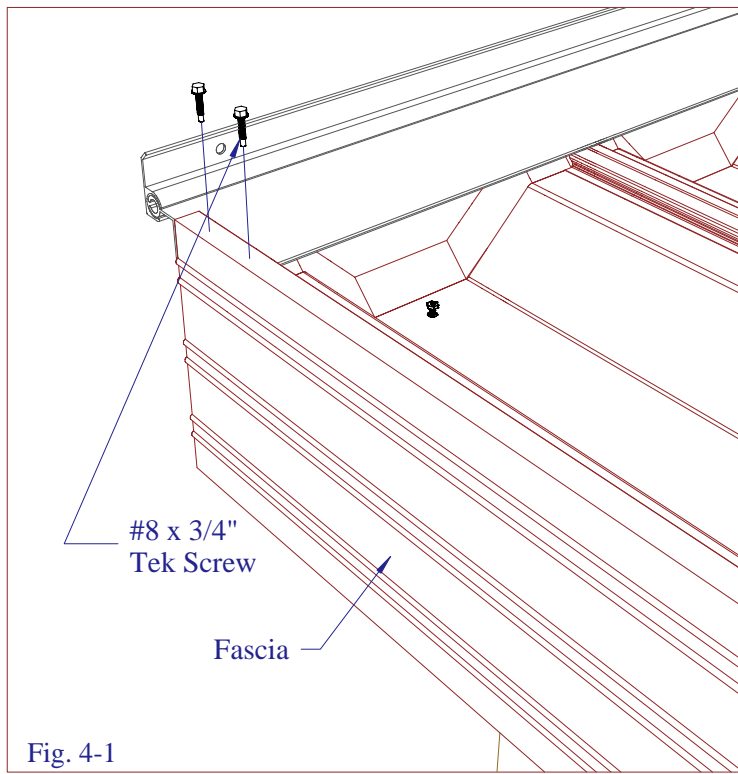


Fig. 3-4

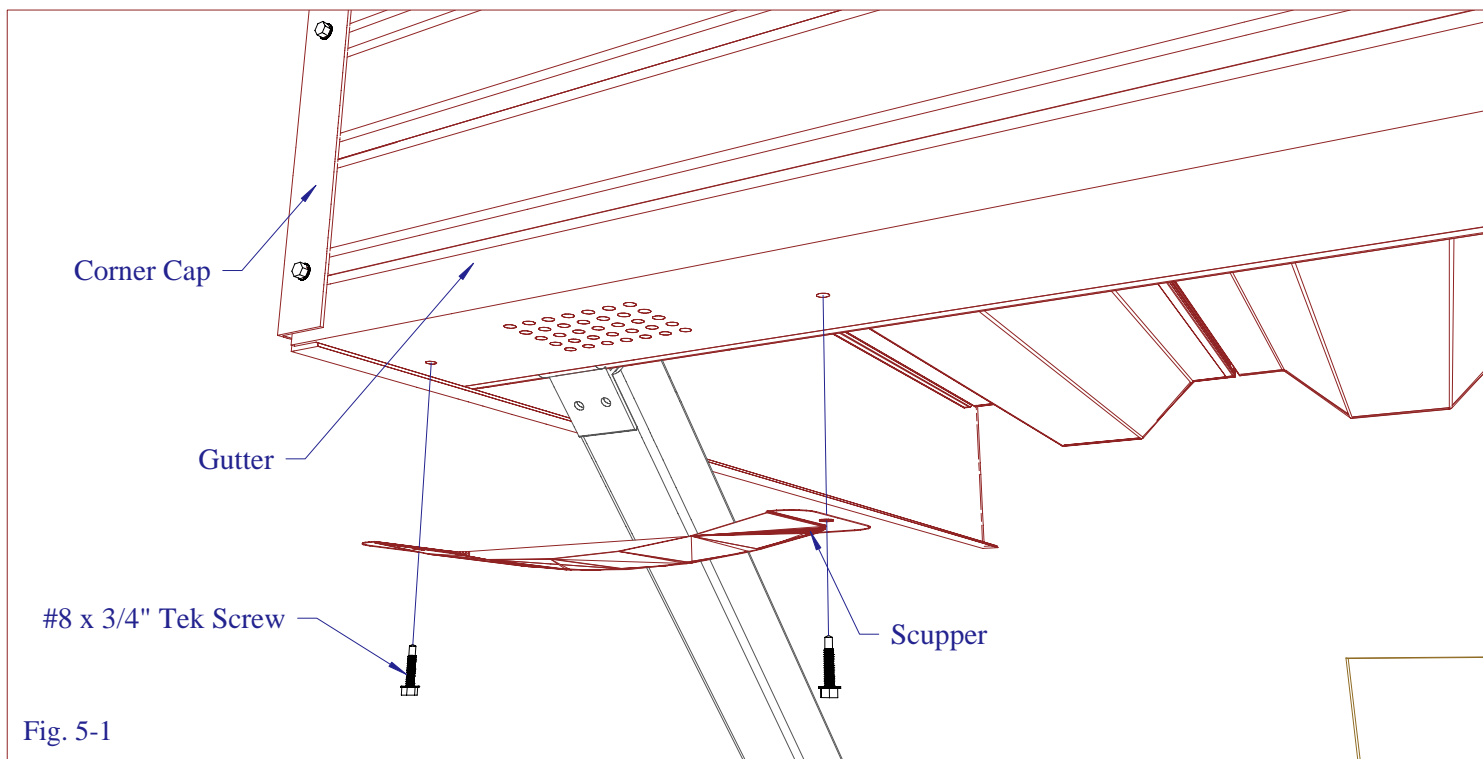
## STEP 4.

- Attach one end of projection fascia to the wall channel with 2 - #8 x 3/4" screws from the top of fascia (see Fig. 4-1).
- Attach the other end of the projection fascia to the gutter by caulking & installing corner caps with 4 - #8 x 3/4" screws (see Fig. 4-2).



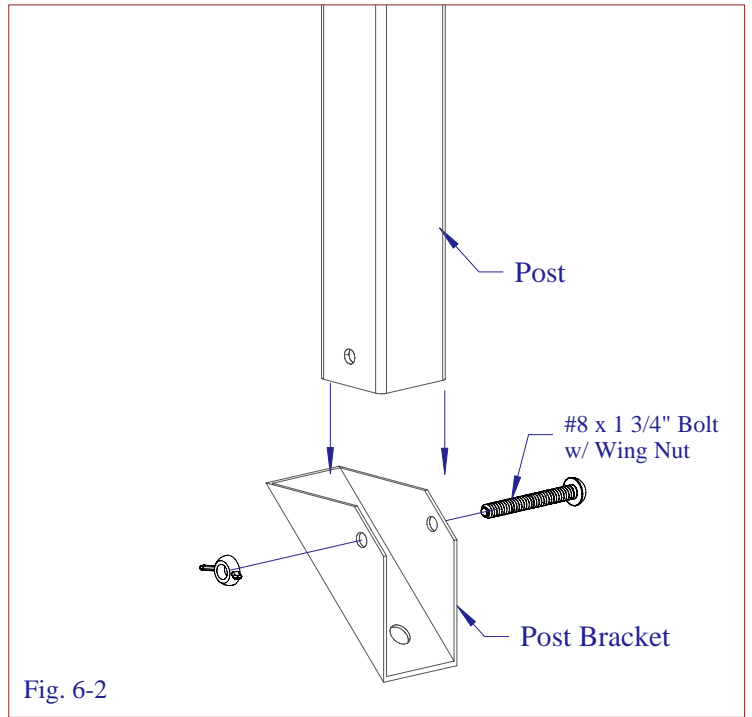
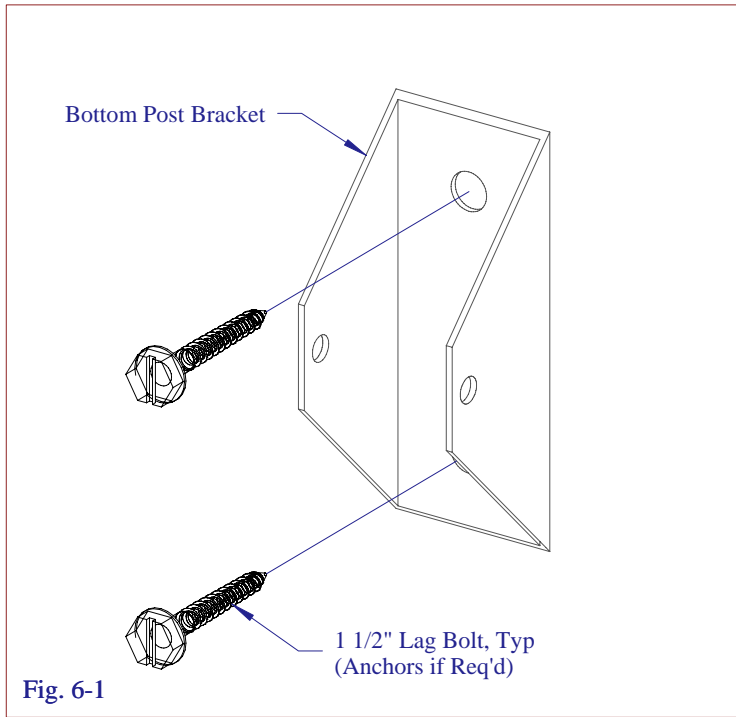
## STEP 5.

- Determine where you want the water to run from unit.
- Mark and drill several small holes in bottom of gutter forming a pattern no bigger than 2" x 3".
- With a saw, remove the material between holes to create one larger hole.
- Apply silicone to flange of scupper & attach to gutter with 2 - #8 x 3/4" Tek Screws covering large hole (see Fig. 5-1).

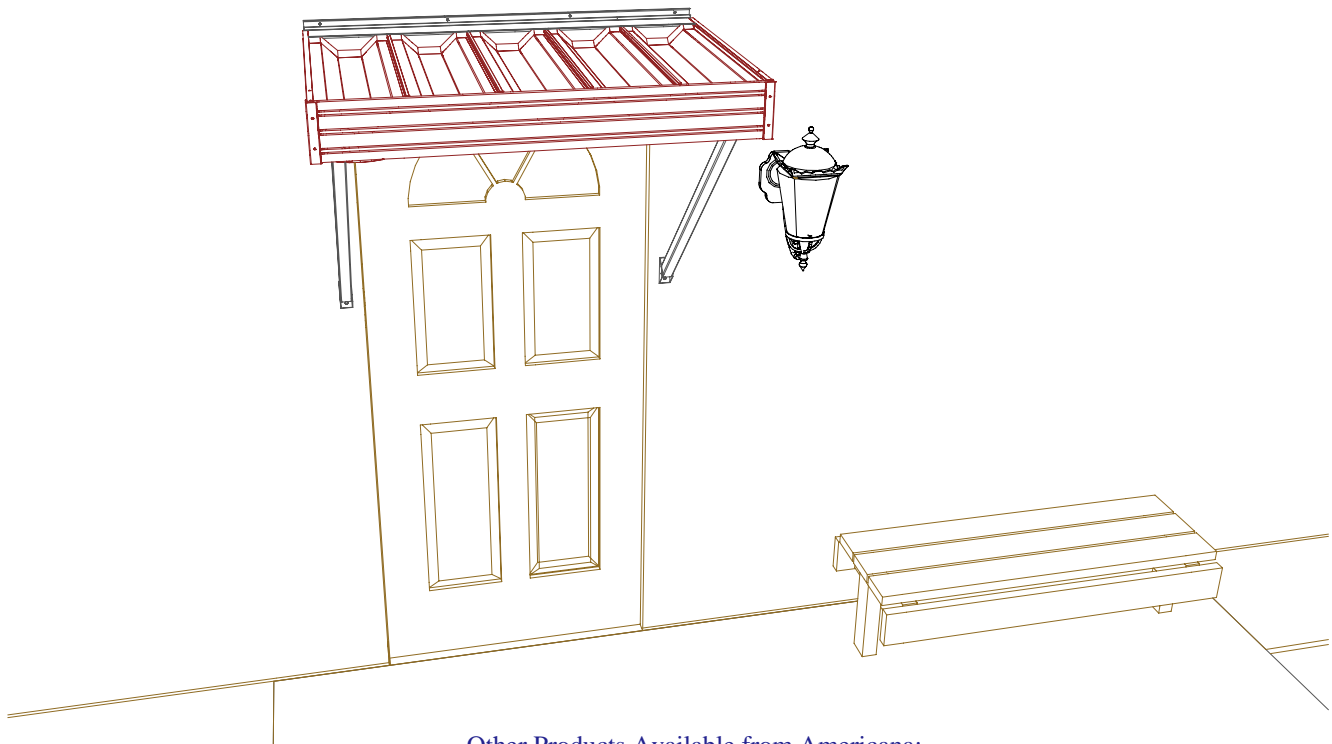


## STEP 6.

- Attach bottom post bracket to existing structure using 2 - 1 1/2" lag screws or anchors for each bracket (see Fig. 6-1).
  - Secure posts to post brackets using 1 - #8 x 1 3/4" Bolt w/ Wing Nut (see Fig. 6-2).
- NOTE: Be sure to square post brackets with building and post spacing (see Fig. 6-1).



## ASSEMBLY COMPLETED



Other Products Available from Americana:  
Fabric & Aluminum Awnings - Carports - Patio Covers - Room Enclosures - Park Shelters

Check Out Our Web Site @ [www.americana.com](http://www.americana.com)