



IMPERIAL PATIO COVER ASSEMBLY INSTRUCTIONS



Recommended Tools:

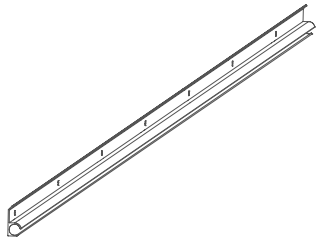
Level, Pliers, 3/8" Electric Drill, Carpenters Square, Tape Measure, Metal Hack Saw, Silicone Caulking, Screw Drivers (Regular & Phillips)

Before You Begin:

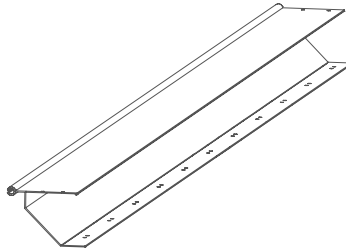
- 1.) Please read all instructions carefully. Check the Bill of Materials for any missing parts, and gather all necessary tools. The paint finish can be scratched so place materials on tarp or cardboard to prevent scratching.
- 2.) Note that this patio cover kit is not designed to carry additional loads such as hanging plants, swings, trellis's, or other objects.



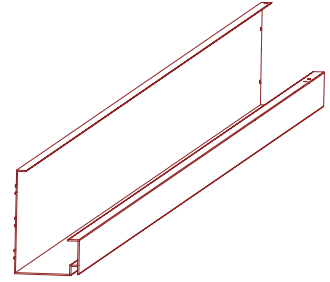
IMPERIAL PATIO COVER PARTS LIST



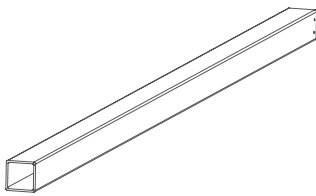
1. Awning Rail



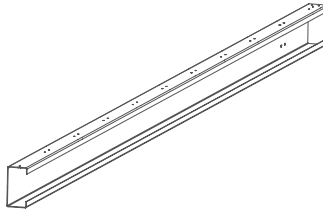
2. Wall Mtg. Channel



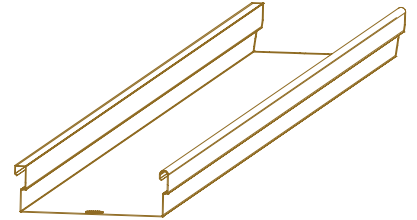
3. Gutter



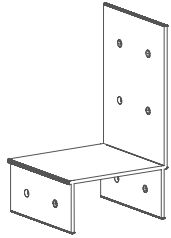
4. Post



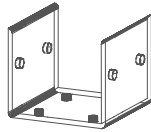
5. C-Beam



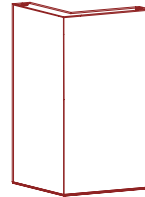
6. Decking Panel



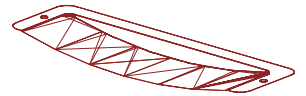
7. Upper Post Bracket



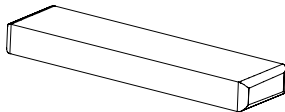
8. Lower Post Bracket



9. Corner Cap



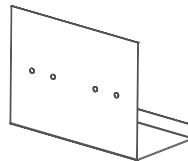
10. Scupper



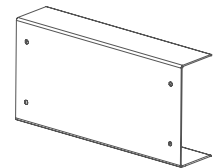
11. Styrofoam Flashing Plug



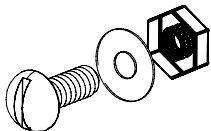
12. Wall Channel Splice
(optional)



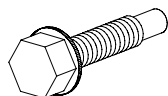
13. Gutter Splice (optional)



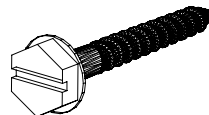
14. C-Beam Splice (optional)



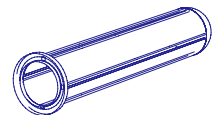
15. #8 - 32 x 1/2"
Bolt, Nut, & Washer



16. #8 x 3/4" Tek Screw



17. 1 1/2" Lag Screw



18. Lag Bolt Insert

STEP 1.

Drill 1/4" dia. holes beginning 2" from either end at 12" to 16" on center in Awning Rail as shown (see Fig. 1-1). Slide Awning Rail onto Wall Channel and apply a generous bead of silicone to backside of Awning Rail (see Fig 1-2). (NOTE: Center to center dimension of 1/4" holes is determined by location of wall studs or other structural member that the awning must be anchored to. Do Not attach awning to sheeting, siding, flashing, or any other non-structural surface.)

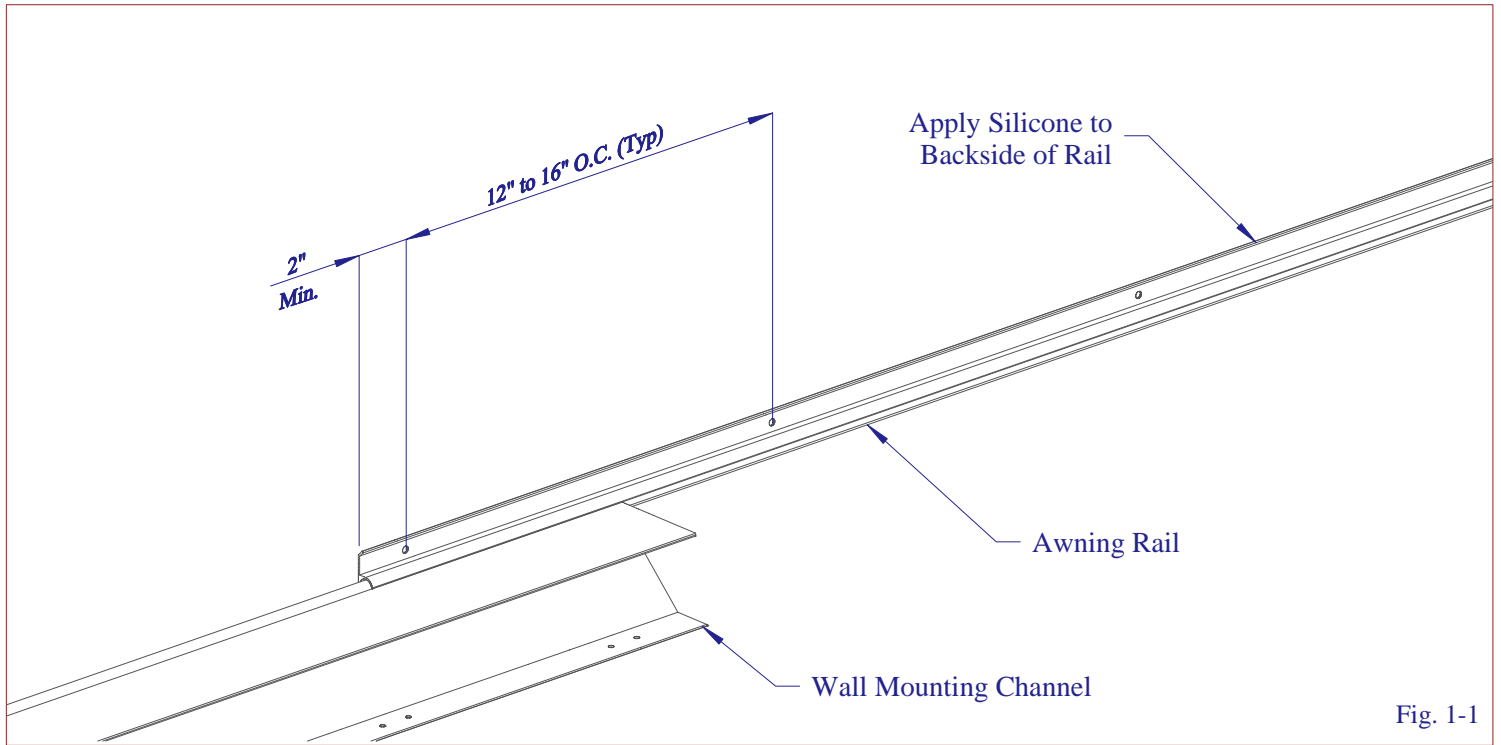


Fig. 1-1

Mark a level line approximately 5 1/2" above out-swinging door. Align holes in Awning Rail with level line, and attach Awning Rail / Mounting Channel assembly to existing structure with 1 1/2" lag screws (see Fig. 1-3). If Mounting Channel is in two sections, a splice plate is required (see Fig. 1-4). Be sure to caulk Wall Mounting Channel at splice and remove excess silicone after attaching.

NOTE: If attaching patio cover to concrete or masonry unit, a masonry drill, bit, and anchors are required.

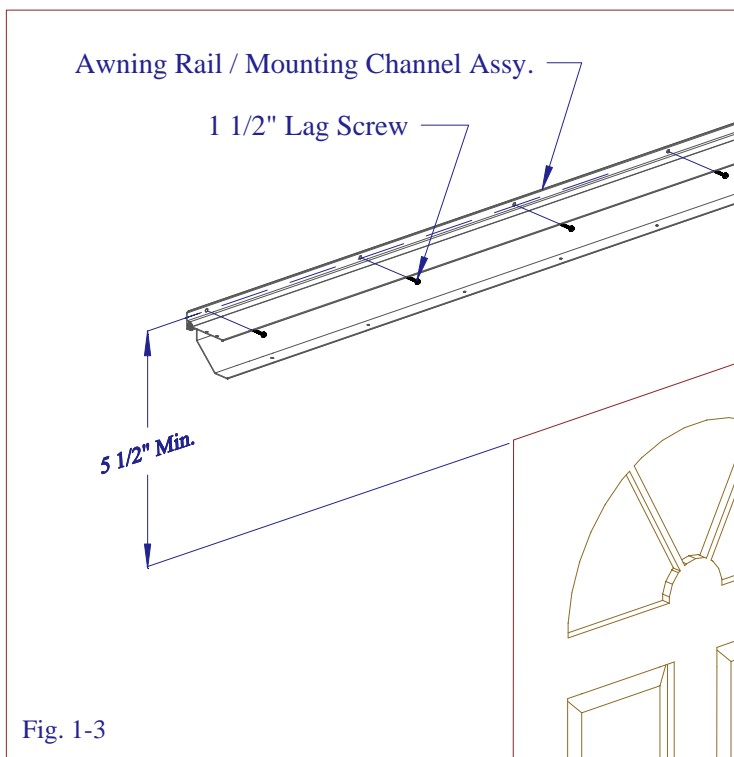


Fig. 1-3

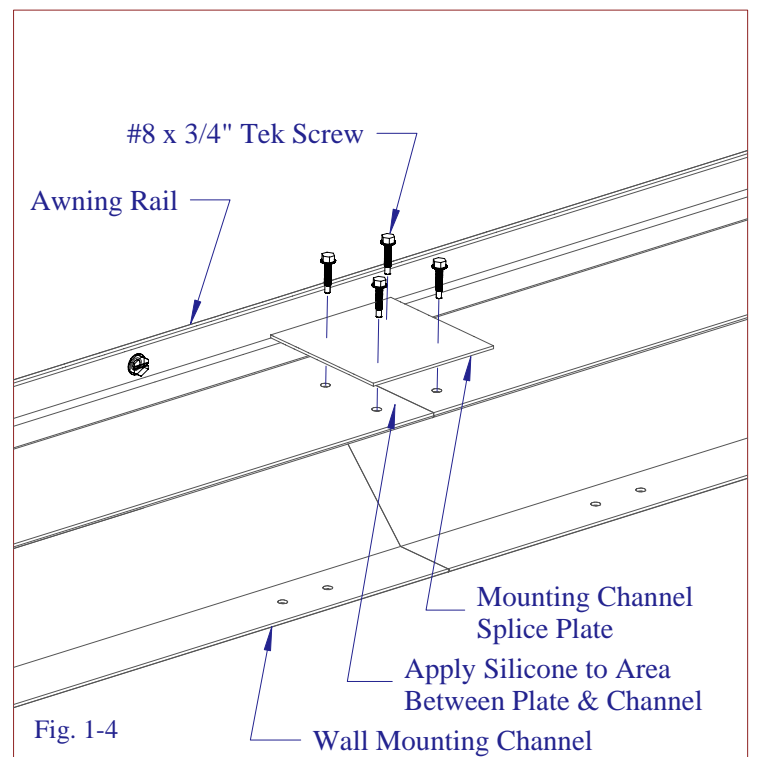
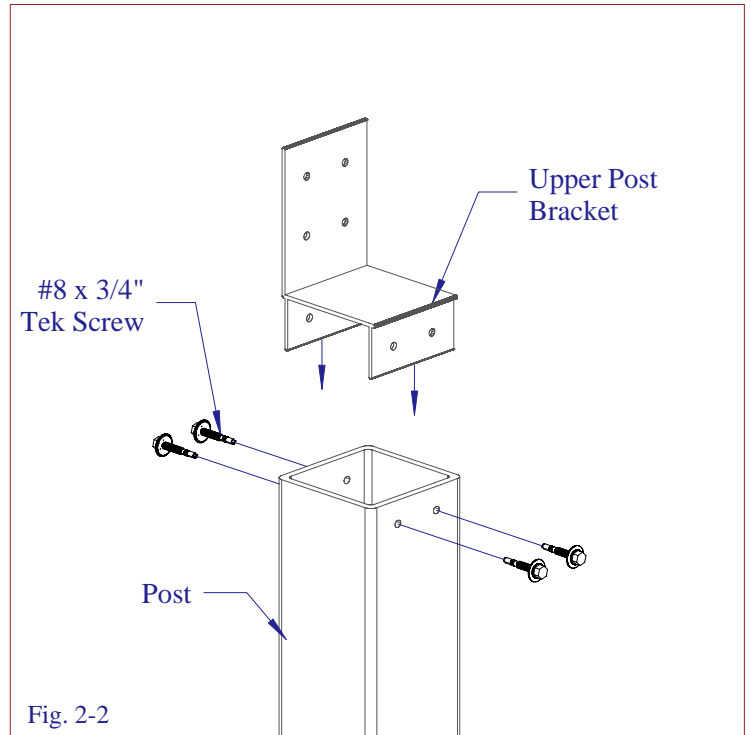
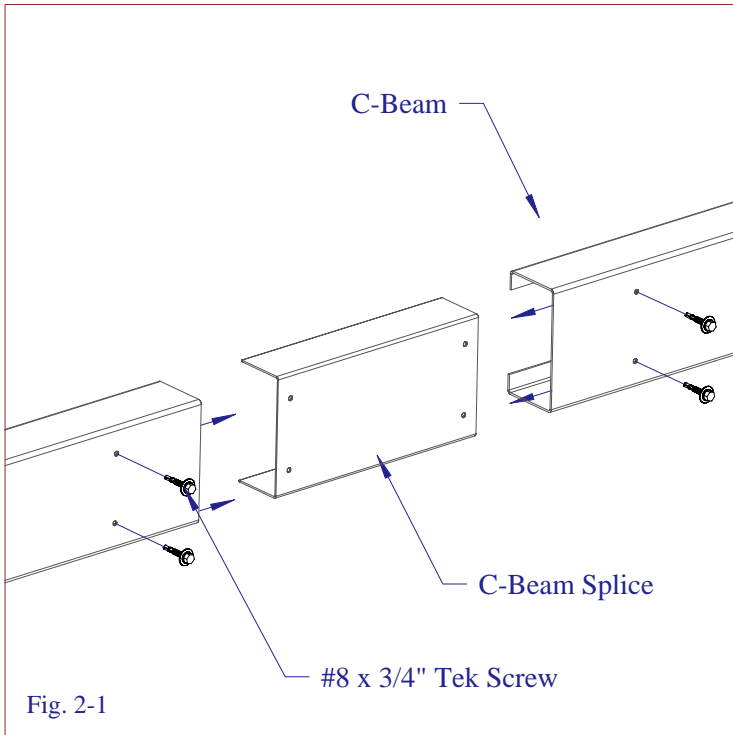


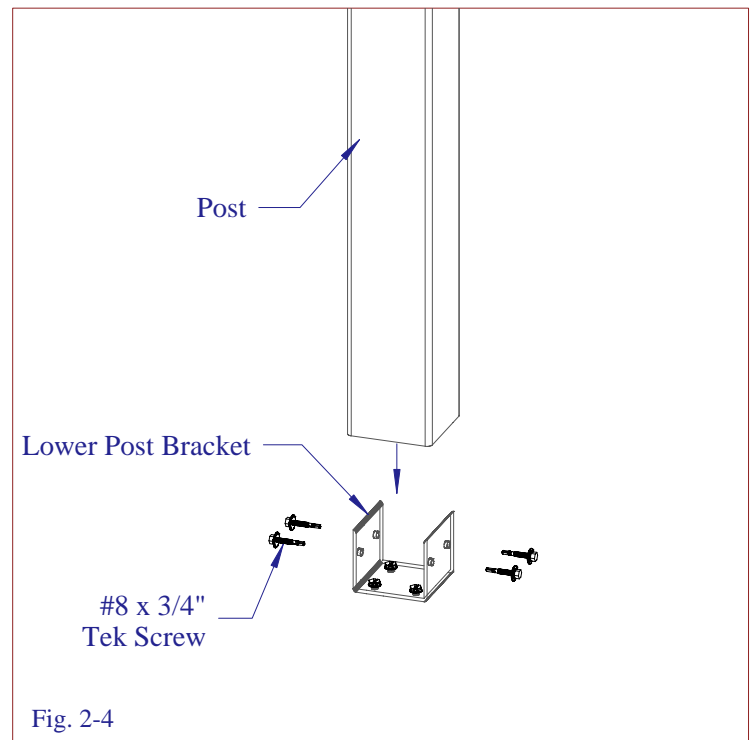
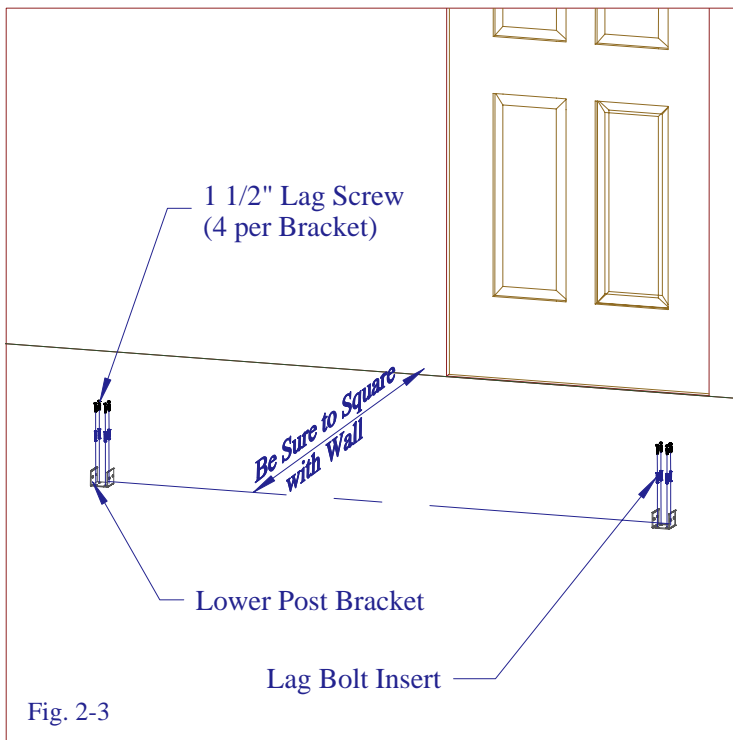
Fig. 1-4

STEP 2.

If the C-Beam is in two sections, insert the C-Beam splice, caulk, and fasten with #8 Tek Screws as shown (see Fig 2-1). Be sure to place a post under the splice. Attach Upper Post Bracket to top of Post using 4 - #8 x 3/4" Tek screws per bracket (see Fig 2-2).

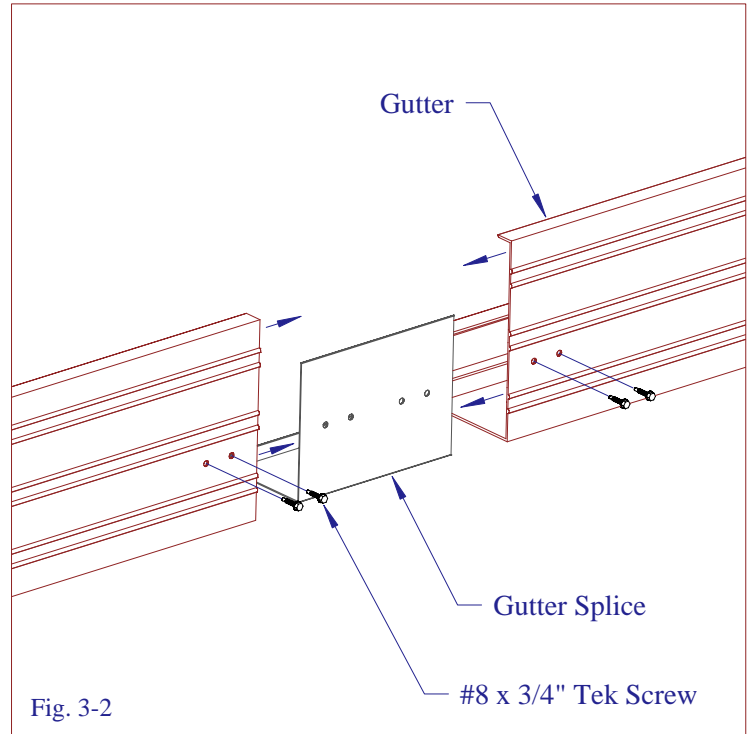
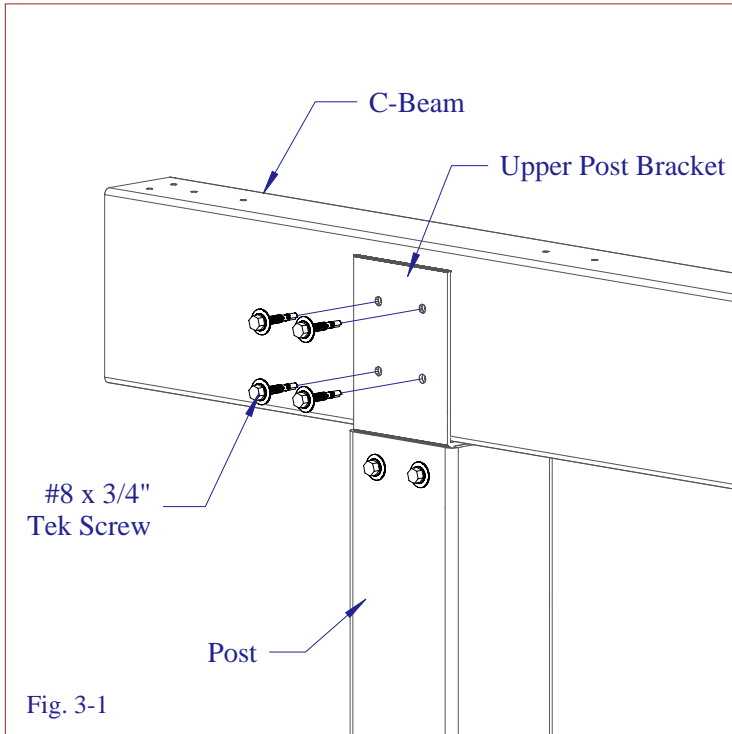


Attach Bottom Post Brackets to deck or slab using 4 - 1 1/2" screws or concrete anchors per bracket. Be sure to allow proper spacing. Cut Posts to proper length, we recommend the front height of cover be 1/2" per foot of projection lower than mounting height. **REMEMBER** to take off 4" of post to allow for C-Beam. (EX: With a 8'-0" projection, the front height should be 4" lower than mounting height; cut post to 8" lower than mounting height.) Secure Posts to Lower Brackets using 4 - #8 x 3/4" Tek screws (see Fig 2-4). Open part of Upper Post Bracket should face the building. **NOTE:** Be sure to square Post Brackets with building and post spacing (see Fig. 2-3).



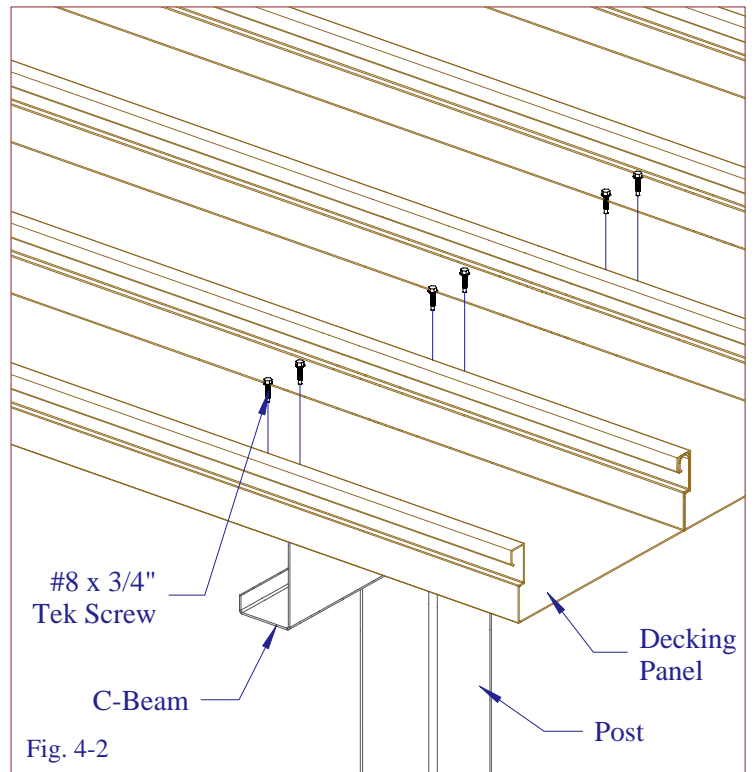
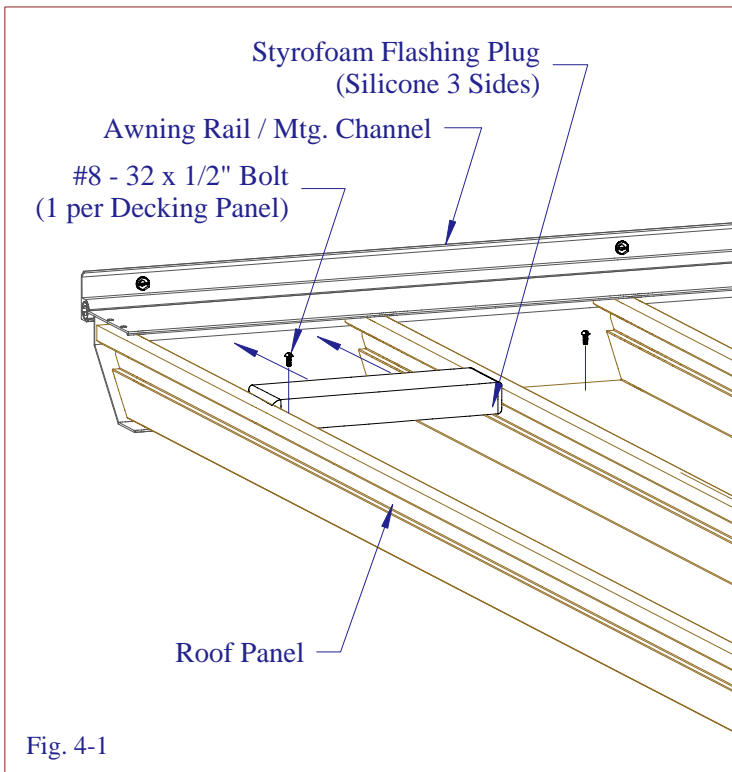
STEP 3.

Hoist the C-Beams into place (open part faces building). Locate the C-Beams with an equal amount of overhang from each post. Once evenly spaced, attach the C-Beams to each Upper Post Bracket using 4 - #8 x 3/4" Tek Screws each (see Fig. 3-1). If the Gutter is in two sections, insert the gutter splice, caulk, and fasten with #8 Tek Screws as shown (see Fig 3-2).



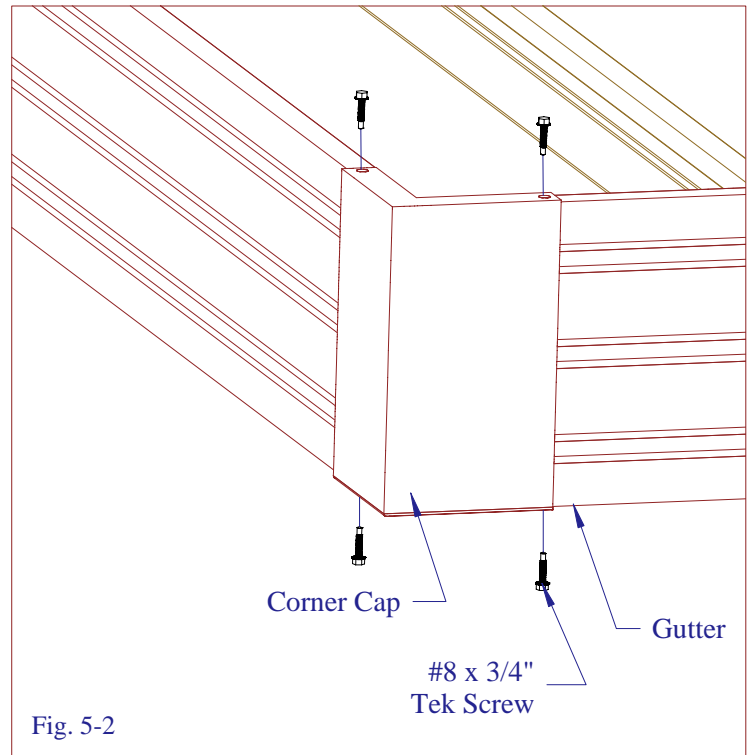
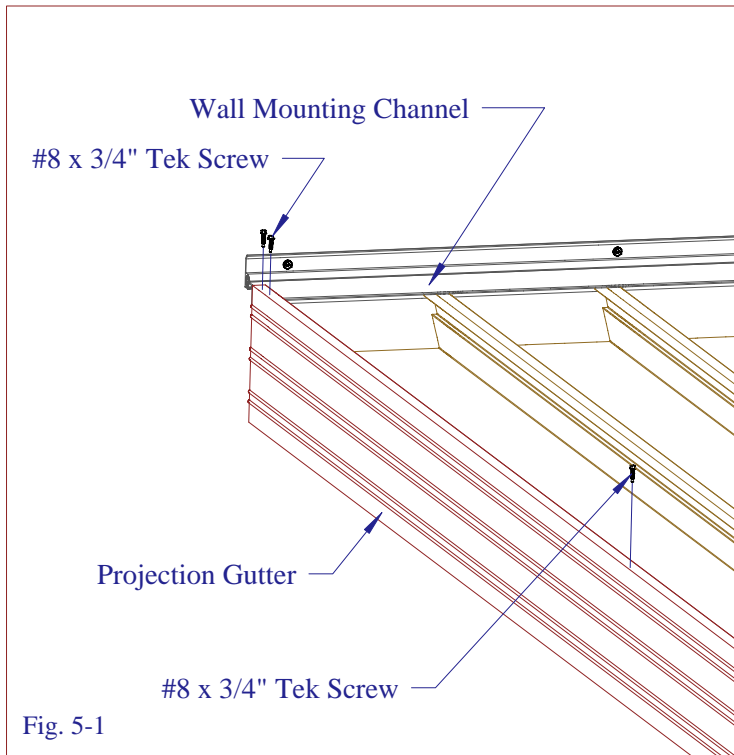
STEP 4.

Attach one end of each decking panel to the Wall Channel using 1 - #8 - 32 x 1/2" bolt w/ nut & washer. After decking panel is secure, apply silicone to three faces of the styrofoam flashing plug & fit it between Mounting Channel and decking panel (see Fig 4-1). Once decking panels are secured to Mounting Channel, secure each panel to the C-Beam using 2 - #8 x 3/4" Tek Screws per panel as shown (see Fig. 4-2). Square all decking panels.



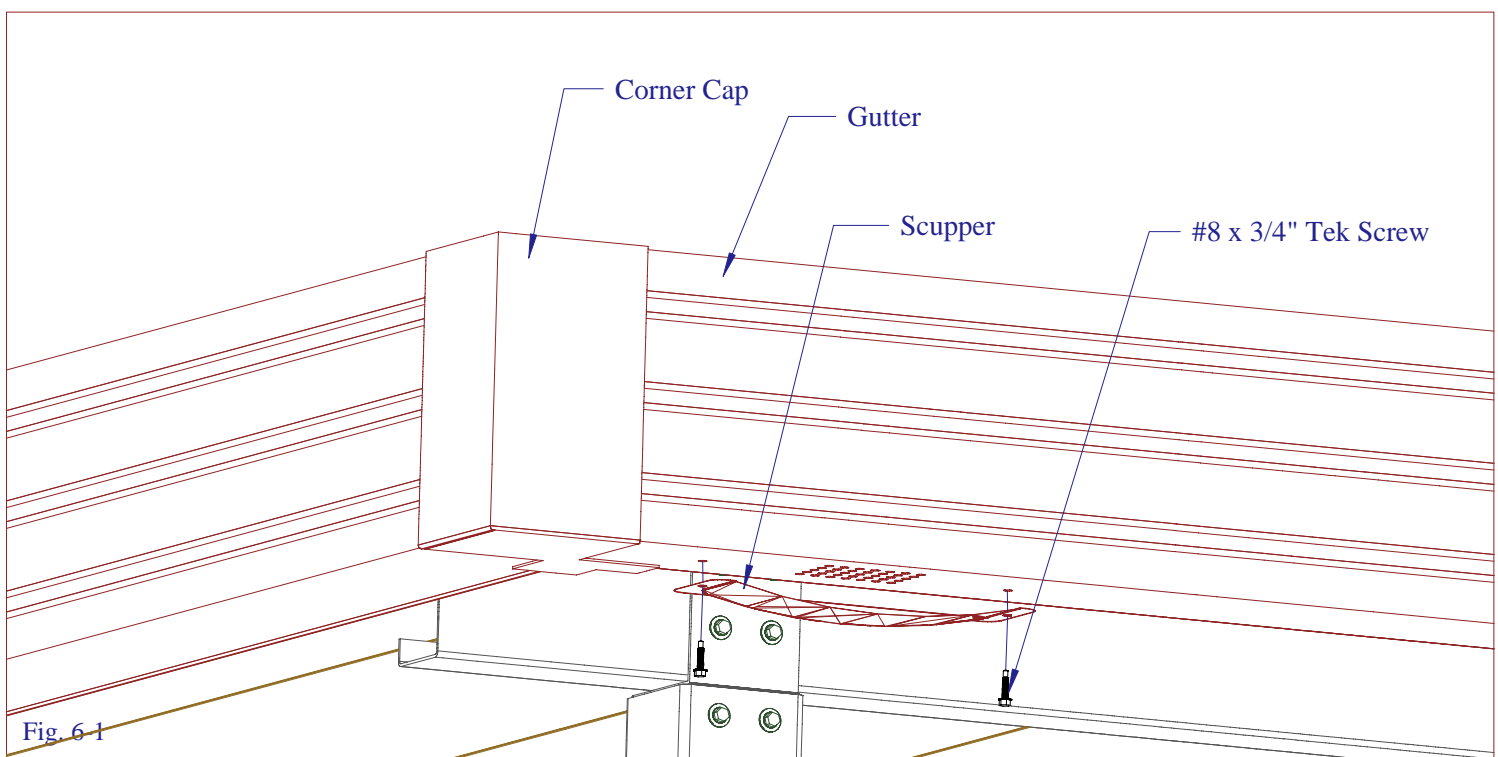
STEP 5.

Attach back end of side Gutter to the Wall Channel with 2 - #8 x 3/4" screws from the top. Attach the other end of the side Gutter to the front Gutter by caulking & installing corner caps with #8 x 3/4" screws (see Fig. 5-2). If your patio cover has a projection greater than 8'-0", we recommend securing the center of the Gutter to the decking panel as shown (see Fig. 5-1). Square the decking panels to the Gutter / Wall Channel once more before tightening all screws.

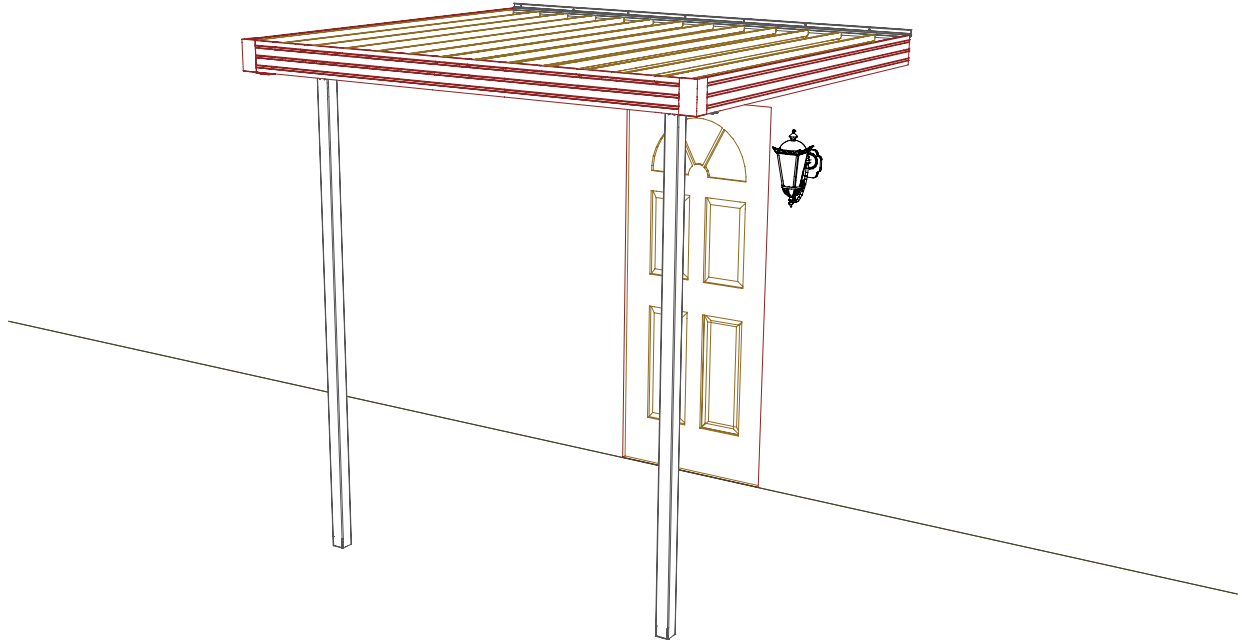


STEP 6.

Determine where you want water to run from the unit. Mark and drill several small holes in bottom of Gutter forming a pattern no bigger than 2" x 3". Apply silicone to flange of scupper & attach to Gutter with 2 - #8 x 3/4" Tek screws covering holes (see Fig. 6-1).



ASSEMBLY COMPLETED



Other Products Available from Americana: Fabric & Aluminum Awnings - Carports
- Patio Covers - Room Enclosures - Park Shelters

Check Out Our Web Site @ www.americana.com

NOTES