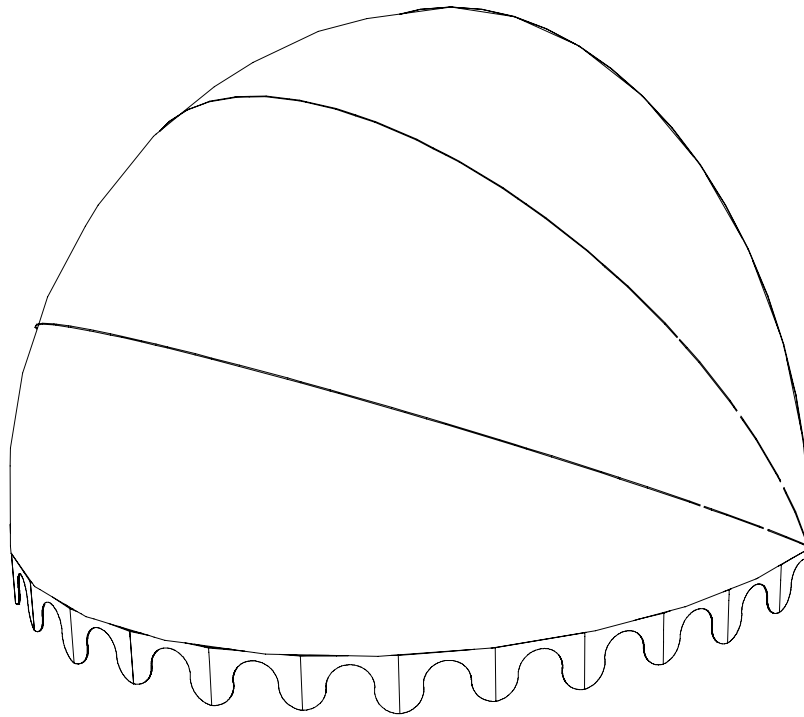




Contact us @ (800)851-0865

MARQUEE STYLE FABRIC AWNING ASSEMBLY INSTRUCTIONS



For Ease of Assembly and Installation

- Familiarize yourself with component parts

Recommended Tools:

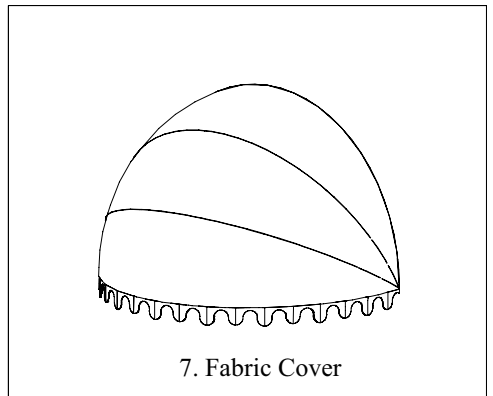
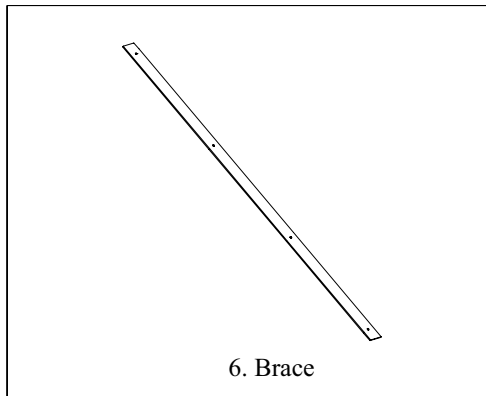
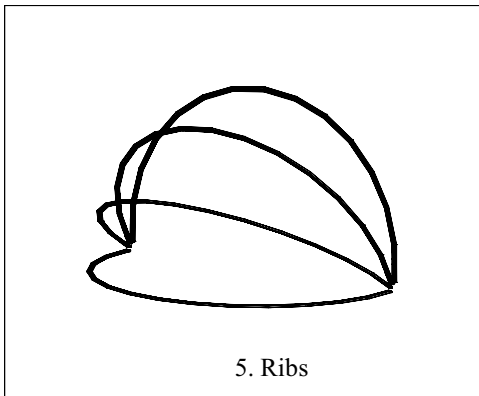
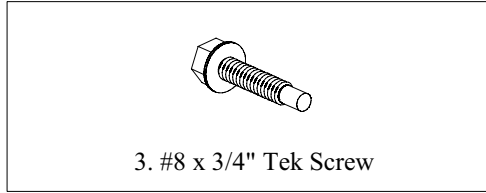
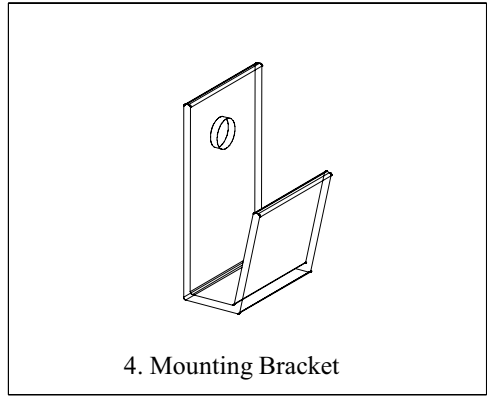
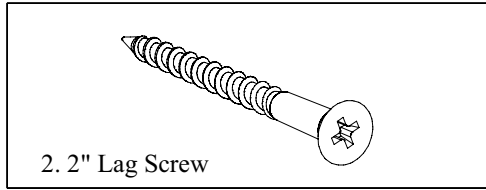
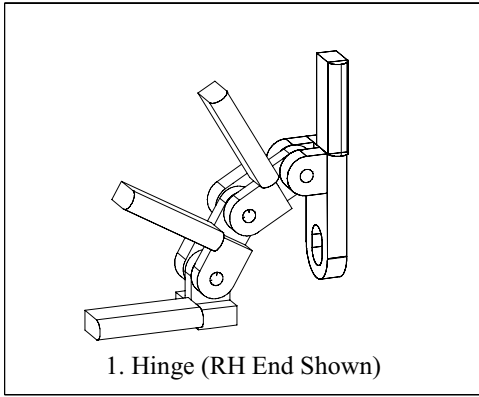
Phillips Screw Driver
Tape Measure
Carpenters Level

(If Awning is being Attached to Brick or Masonry a Drill,
Masonry Bit, and Masonry Anchors are Required)

Not Included

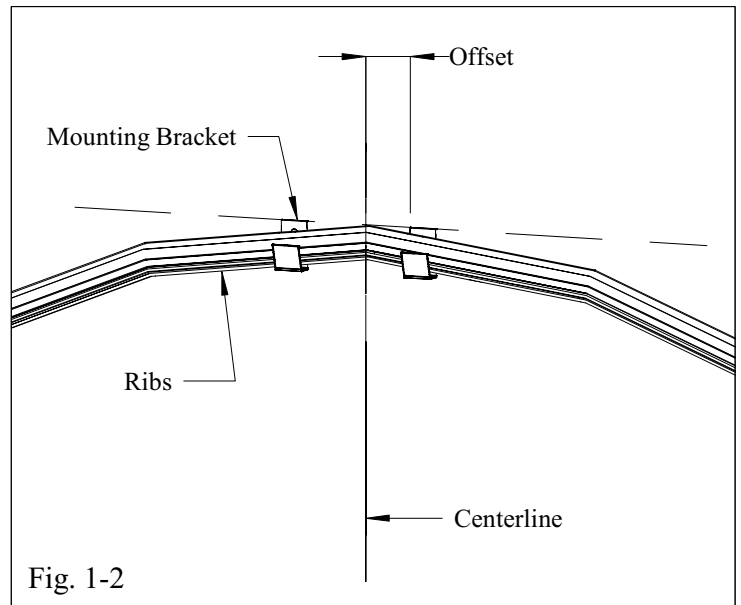
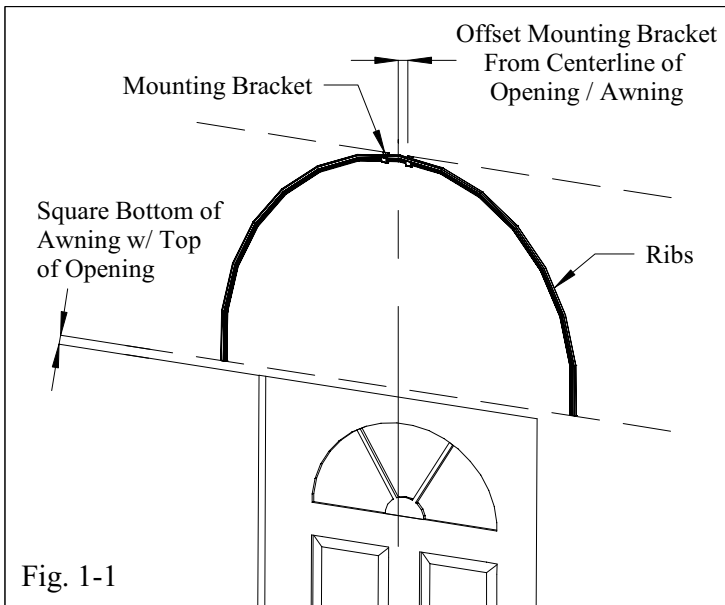
AWNING PARTS LIST

NOTE: The number of parts needed for installation will vary on the size of the awning.



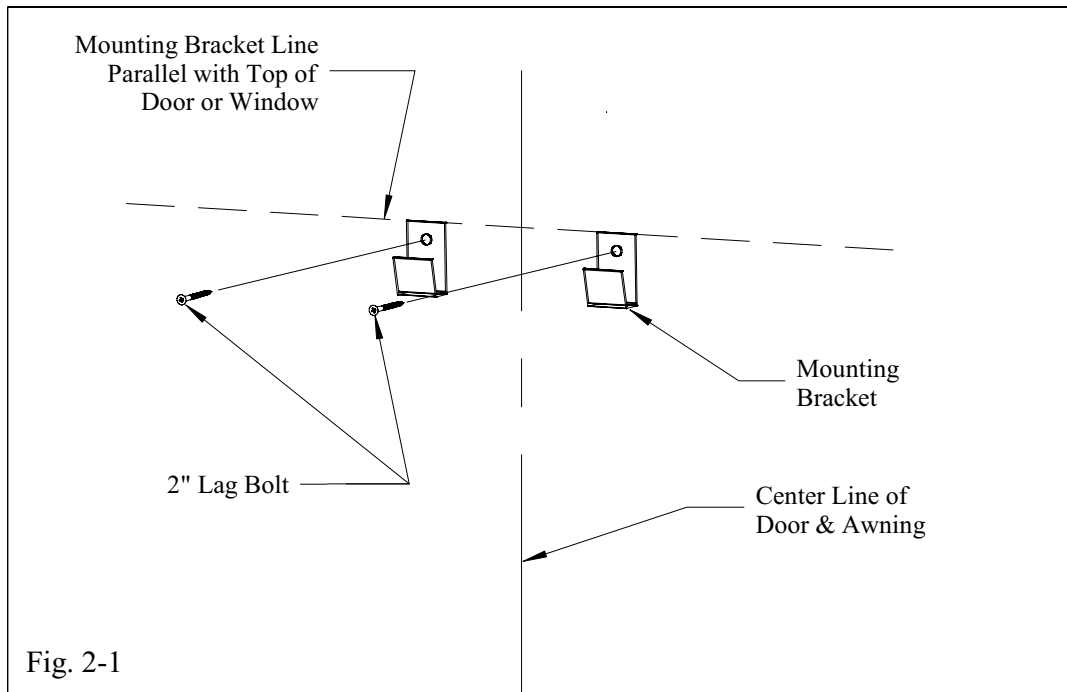
STEP 1.

Hold awning up and mark wall for mounting brackets (see Fig. 1-1). Do Not place bracket in center as there will be a center brace on the awning (see Fig. 1-2).



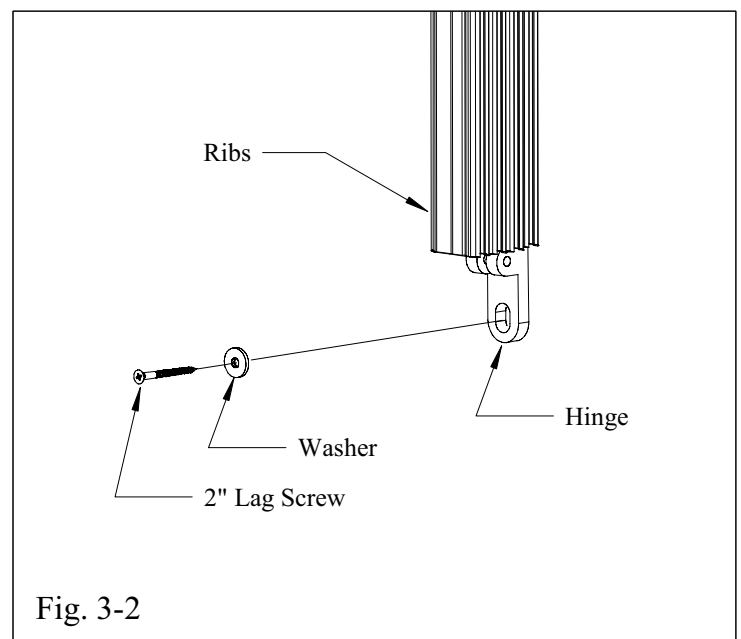
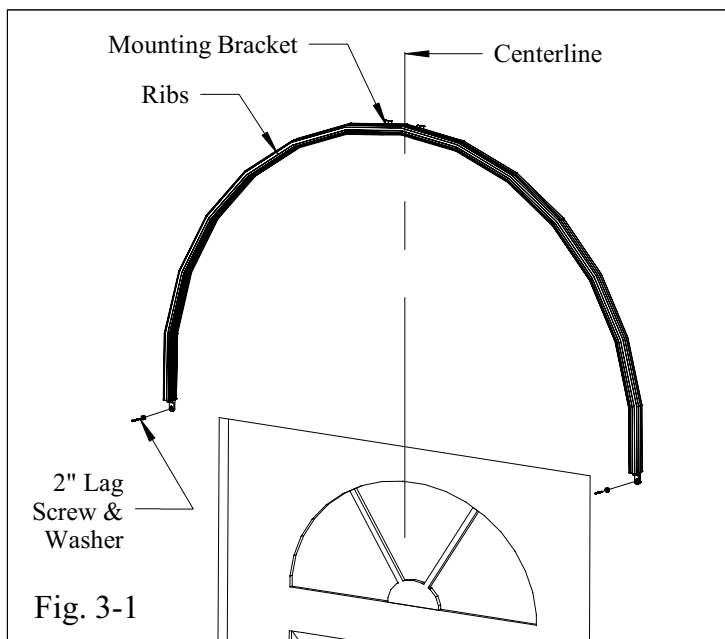
STEP 2.

Once marked remove awning and attach mounting brackets to wall (see Fig 2-1). Attach with the 1 1/2" lag screws provided. If mounting on brick or stone, use masonry anchors (not included).



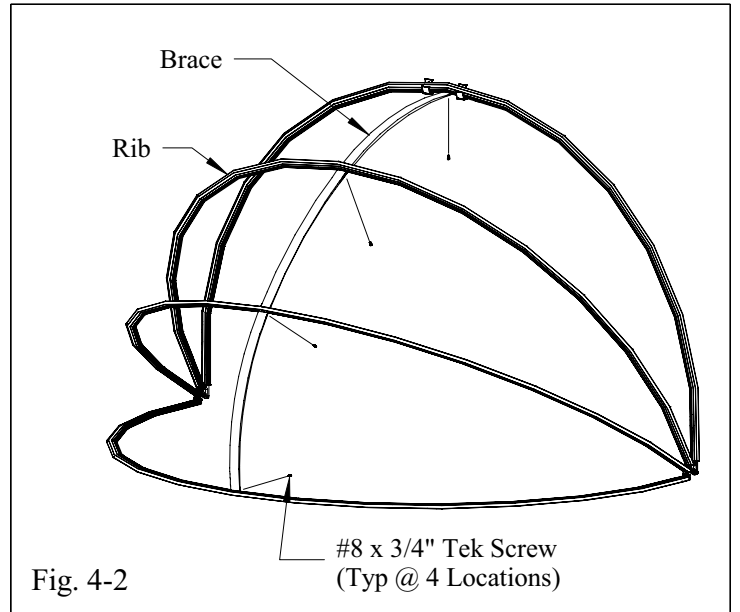
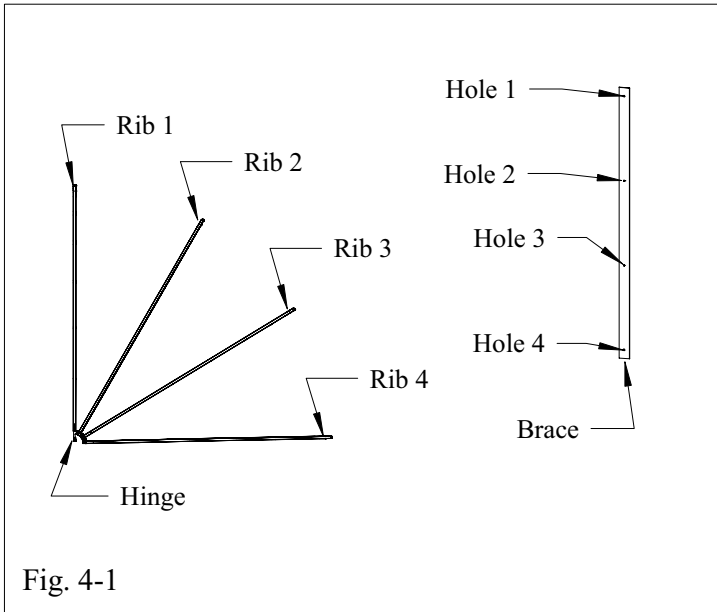
STEP 3.

Center awning over window or door and attach at bottom hinge holes. Note: Marquee Awnings must be folded up to reach the hinge holes.

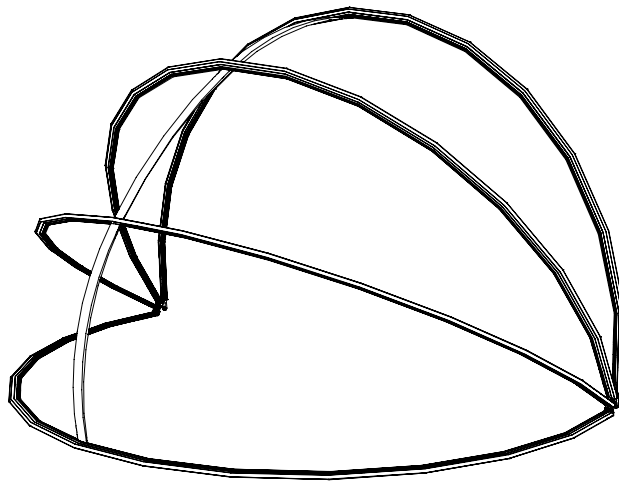


STEP 4.

Once the awning is secured it is ready to be braced if desired. Braces are numbered to match the rib they attach to. Attach the braces using the #8 x 3/4" Tek Screws provided (as Shown). Units over 42" will have three braces instead of the single bracing shown.



ASSEMBLY COMPLETED



Other Products Available from Americana: Aluminum Awnings - Carports - Patio Covers - Room Enclosures - Park Shelters
Check Out Our Web Site @ www.americana.com