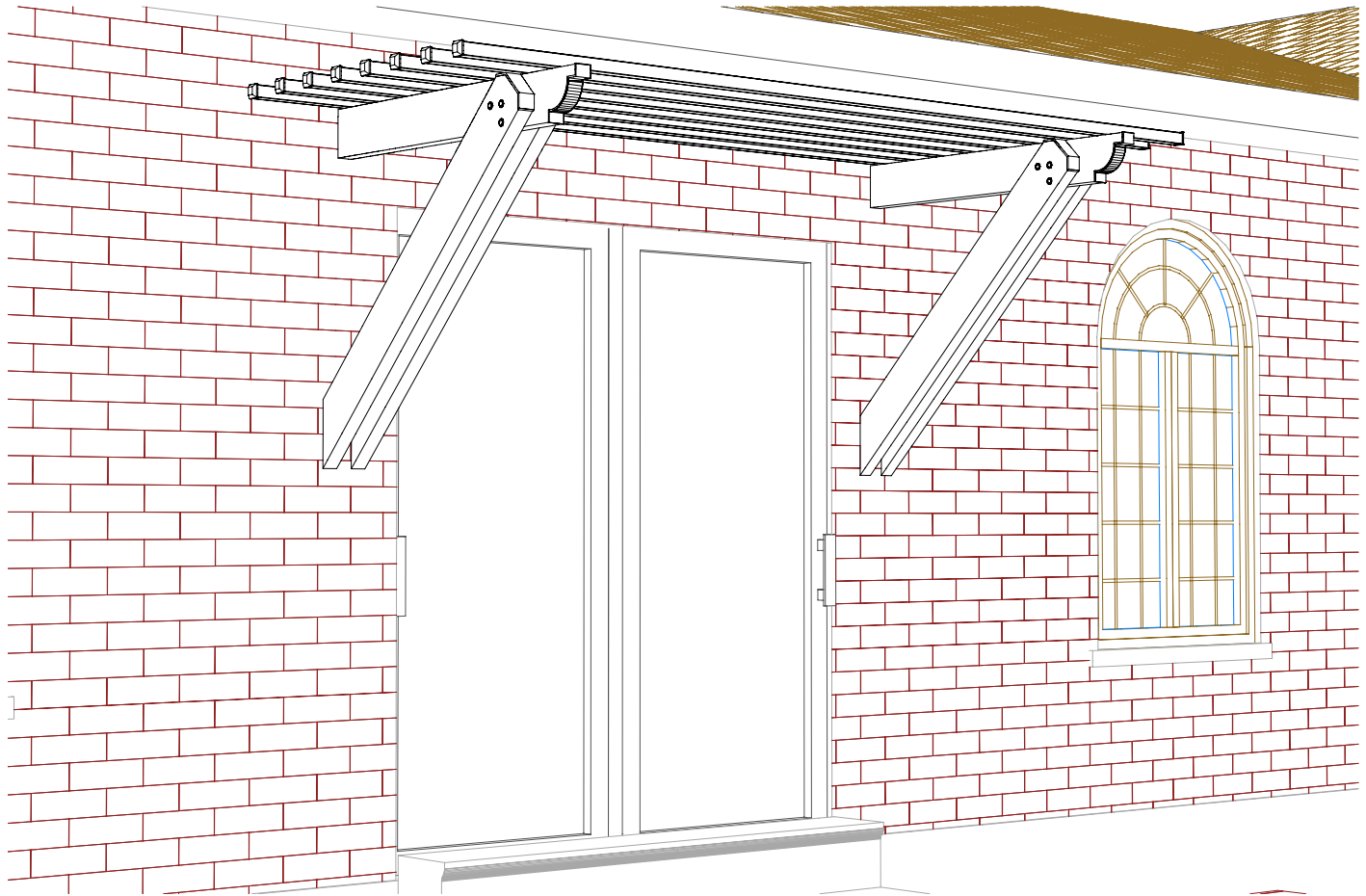


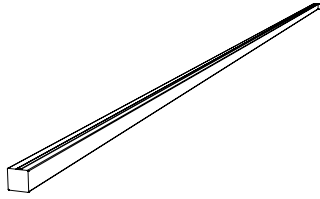


ATTACHED PERGOLA ARBOR INSTALLATION INSTRUCTIONS

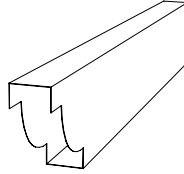


Recommended Tools: Safety Glasses, Tape Measure, Carpenters Level, Framing Square, Hex Head Nut Drivers, Chalk Line Elec. Drill w/ Bits (Masonry Drill, Bits, & Anchors maybe required if securing to Stone, Concrete, or any other masonry unit.)

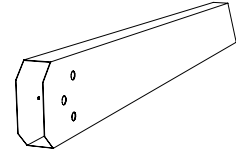
- Before You Begin:**
- 1.) Please read all instructions carefully. Check the Bill of Materials for any missing parts, and gather necessary tools. To prevent scratching of painted materials, place on a tarp, paper, or protective material.
 - 2.) You may be required to obtain a building permit for this structure from your local building authority. This product should only be installed in 10, 20, or 30 psf (pounds per square foot) snow load and 90 mph or less wind speed zone (Custom models can be designed for heavier loads). This product is listed under ICBO Evaluation Report #2621P. You may have to submit two copies of your plot plan and also a copy of the evaluation report to your local building authority for a building permit. Contact your local building department for details and your area's snow & wind loads.
 - 3.) Note that this Pergola Kit is not designed to carry additional loads such as hanging heavy plants, swings, people, or other objects.



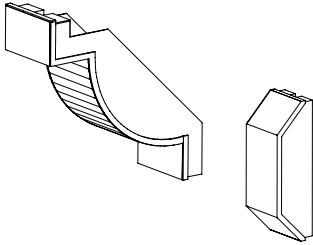
1. 1 1/2" x 1 1/2" Lattice



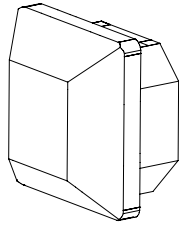
2. 3" x 8" Header
(Shown Precut for End Caps)



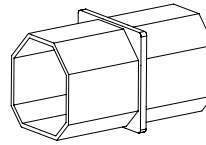
3. 2" x 6" Side Plate



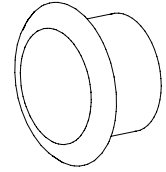
4. Header & Side Plate End Caps



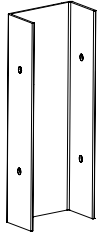
5. Lattice End Cap



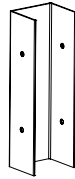
6. Lattice Splice (Optional)



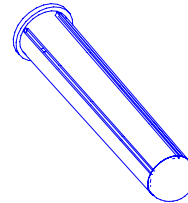
7. 5/8" dia. Hole Plug



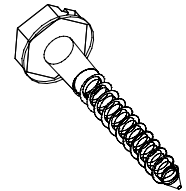
8. Wall Hanger Bracket
for 3" x 8" Header



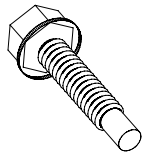
9. Wall Hanger Bracket
for 2" x 6" Side Plate



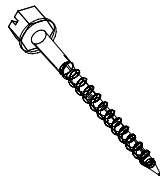
10. Lag Screw Insert



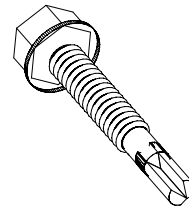
11. 1 1/2" Lag Screw



12. #8 x 3/4" Tek Screw



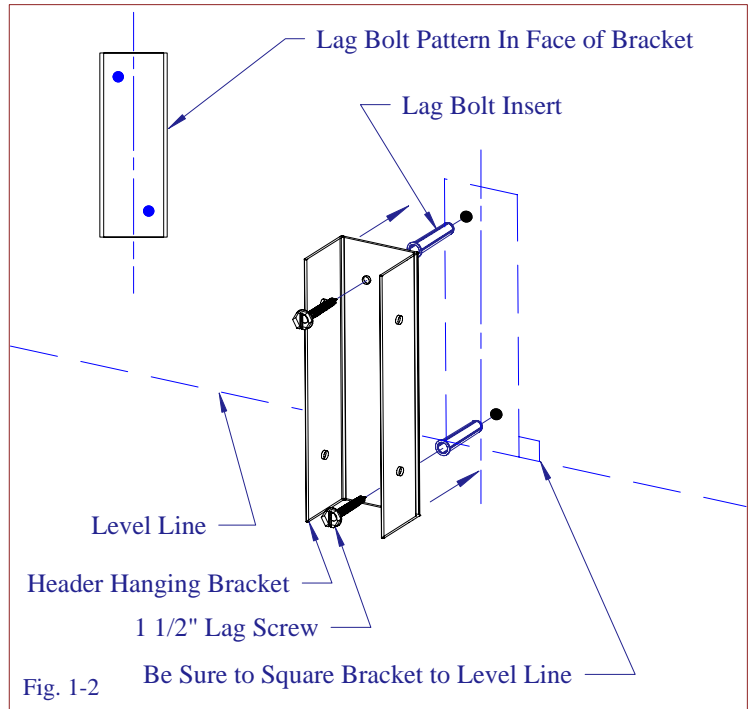
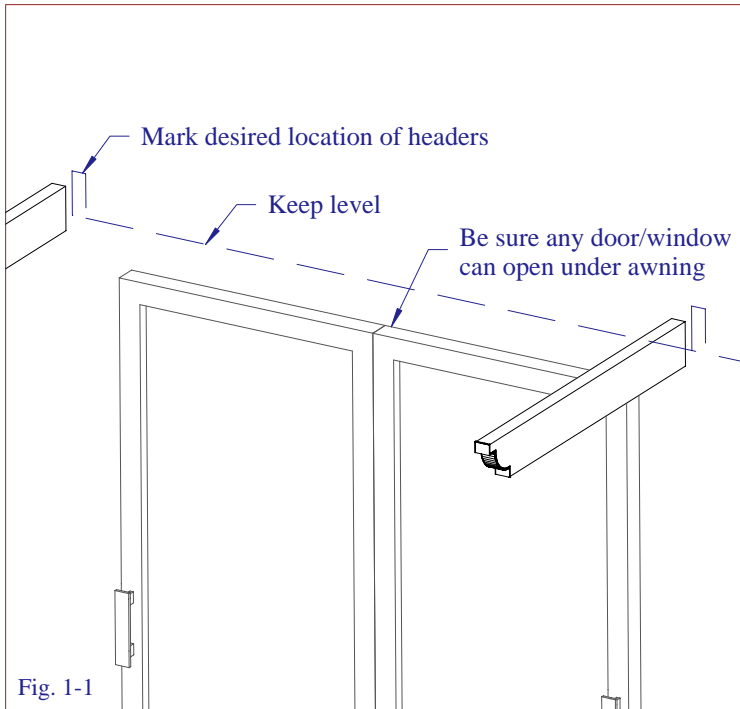
13. #10 x 2" Stainless Steel
Sheet Metal Screw (SMS)



14. #12 x 1 1/4" Tek Screw

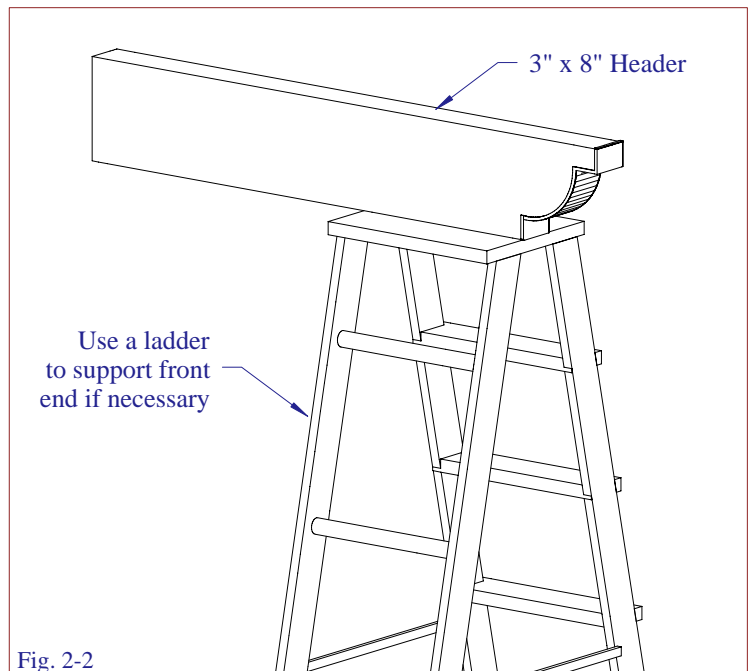
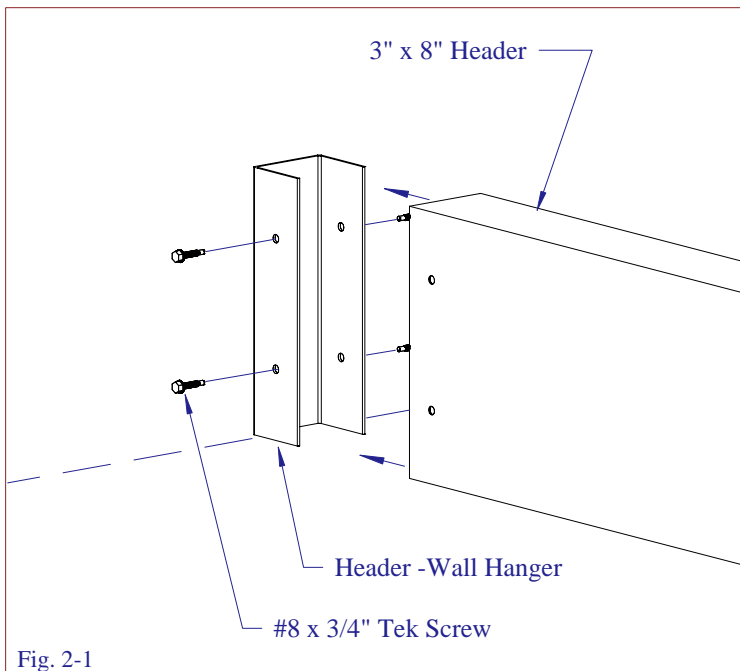
STEP 1

Determine the location for your pergola. Mark the location of the headers to project from the building. Be sure to keep headers level, snap a level chalk line along the wall if necessary. Pre-drill 2 - 5/16" holes in the wall, being sure to hit a solid anchor point (see Fig. 1-2). Place 2 - lag screw inserts into holes and attach header-wall hanger w/ 1 - 1 1/2" lag screw through top hole but do not tighten. Use a level or framing square to straighten the brackets and insert bottom screw and tighten top. Install the remainder of the brackets (see Fig. 1-2). NOTE: If a solid anchor such as a wall stud cannot be located, a 2" x 8" ledger board may be required (Ledger Board Not Supplied By Manufacturer)



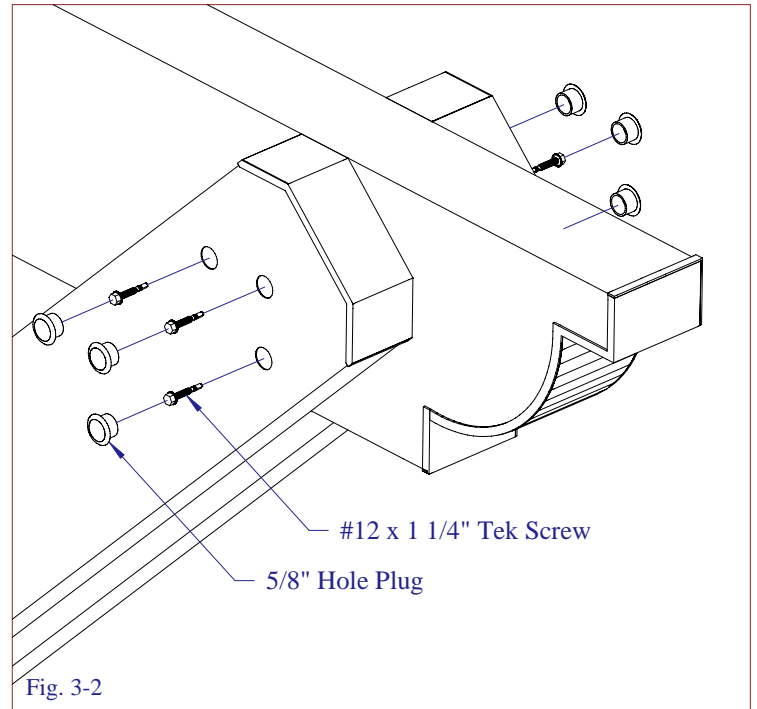
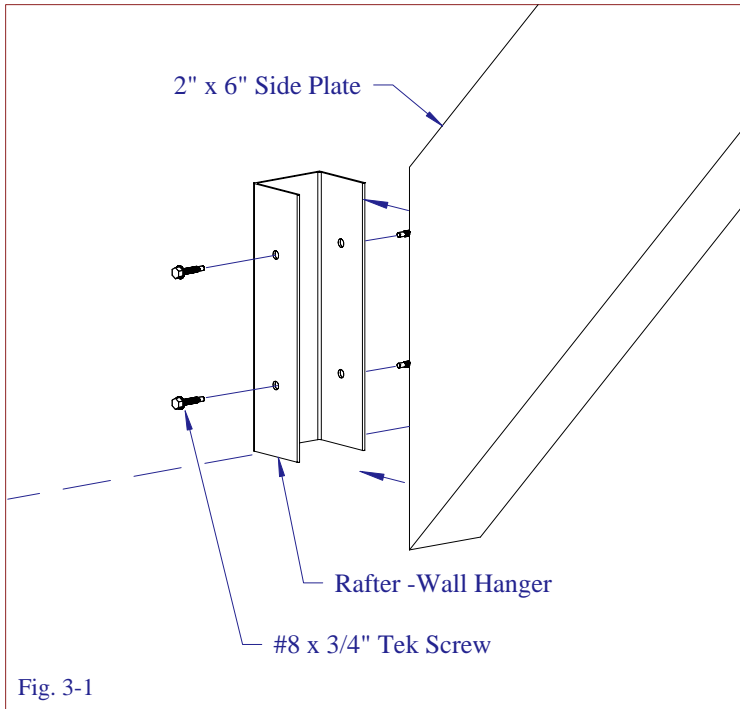
STEP 2

Place a header, seam side up, on a header-wall hanger. Anchor the header to the header hanger with 4 - #8 x 3/4" Tek Screw (see Fig. 2-1). The other end of the header may need to be supported until the side plates are attached. Use a ladder or similar means if necessary (see Fig. 2-2). Set a header in place on the opposite side of the unit using the same procedure. Install any remaining headers.



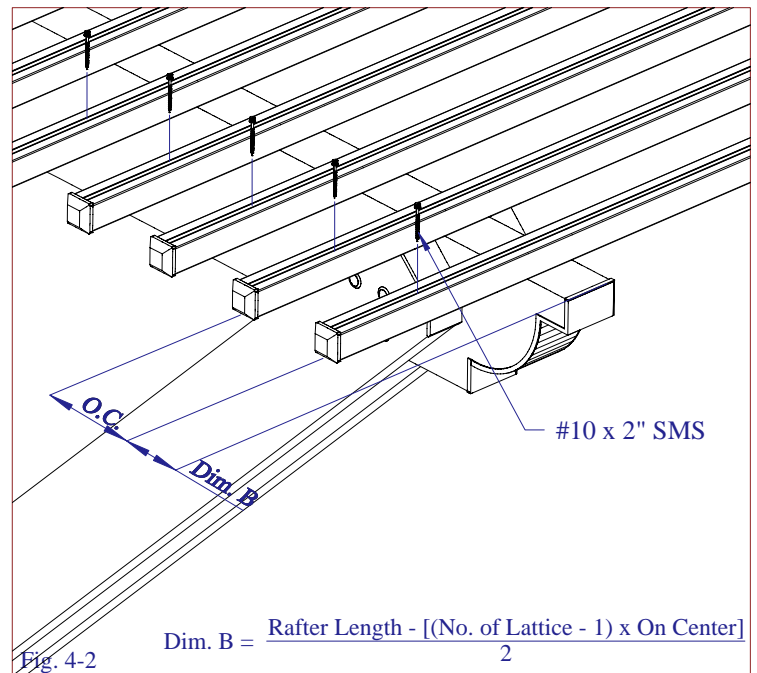
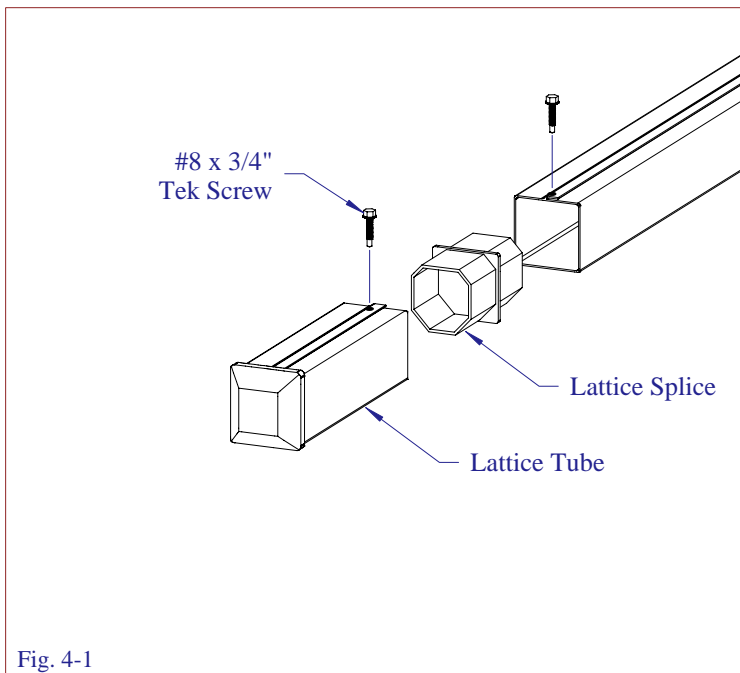
STEP 3

Determine and mark the mounting location of the side plates, placing one on both sides of each rafter. Attach a rafter-wall hanger at each location following the same procedure as in Step 1. Anchor the side plate to the rafter hanger with 4 - #8 x 3/4" Tek Screw (see Fig. 3-1). Attach the other end of the side plate to the header with 3 - #10 x 3/4" Tek Screw through the pre-drilled holes (see Fig. 3-2). Cover each hole with a 5/8" hole plug provided. Repeat for each side plate.

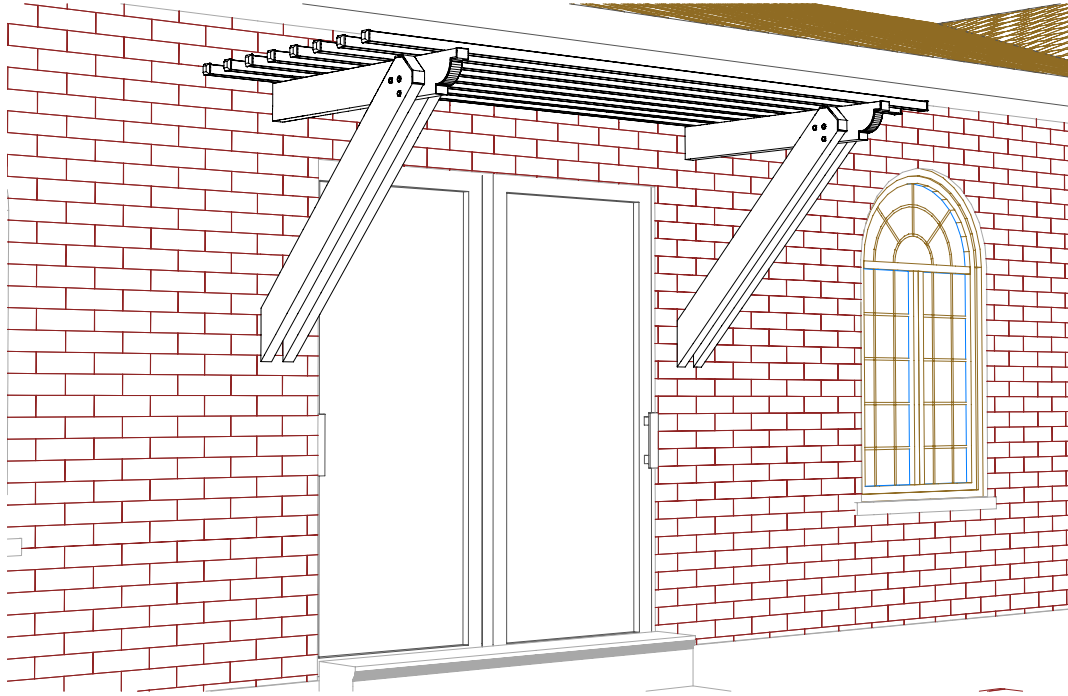


STEP 4

Collect all 1 1/2" Lattice. If the lattice tubes require splice, insert the splice into end of two tubes and secure with 2 - #8 x 3/4" Tek screws (see Fig. 4-1). Layout lattice on rafters seam side up centered on the unit. For lattice spacing details, see Fig. 4-2. Lattice O.C. will most likely be 4 1/2". Finish by anchoring lattice tubes to the end headers using 2 - #10 x 2" Stainless Steel Sheet Metal Screws (SMS) per lattice (see Fig. 4-2).



CONGRATULATIONS! ASSEMBLY COMPLETED



Other Products Available from AMERICANA BUILDING PRODUCTS:

Fabric Window Awnings, Aluminum Patio Covers and Window Awnings, Glass Enclosures, Screen Enclosures, Park Shelters, Aluminum Railings & Columns, Retractable Fabric Awnings & More!

NOTES