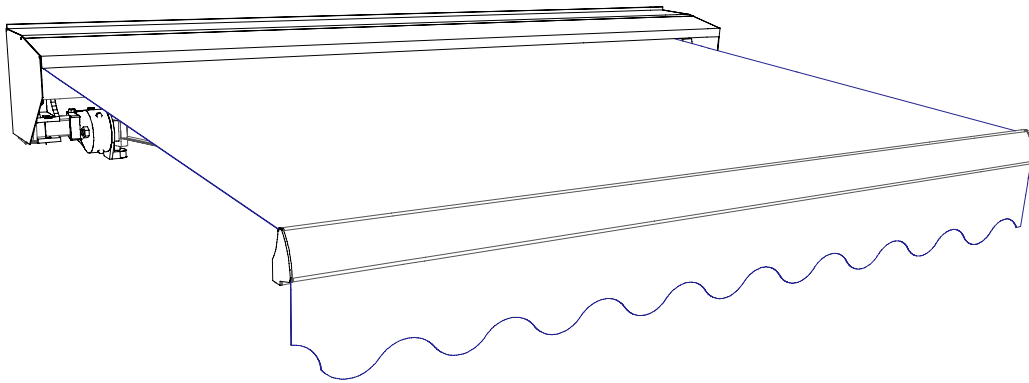




Contact us @ (800)851-0865

RETRACTABLE AWNING w/ OPTIONAL HOOD ASSEMBLY INSTRUCTIONS



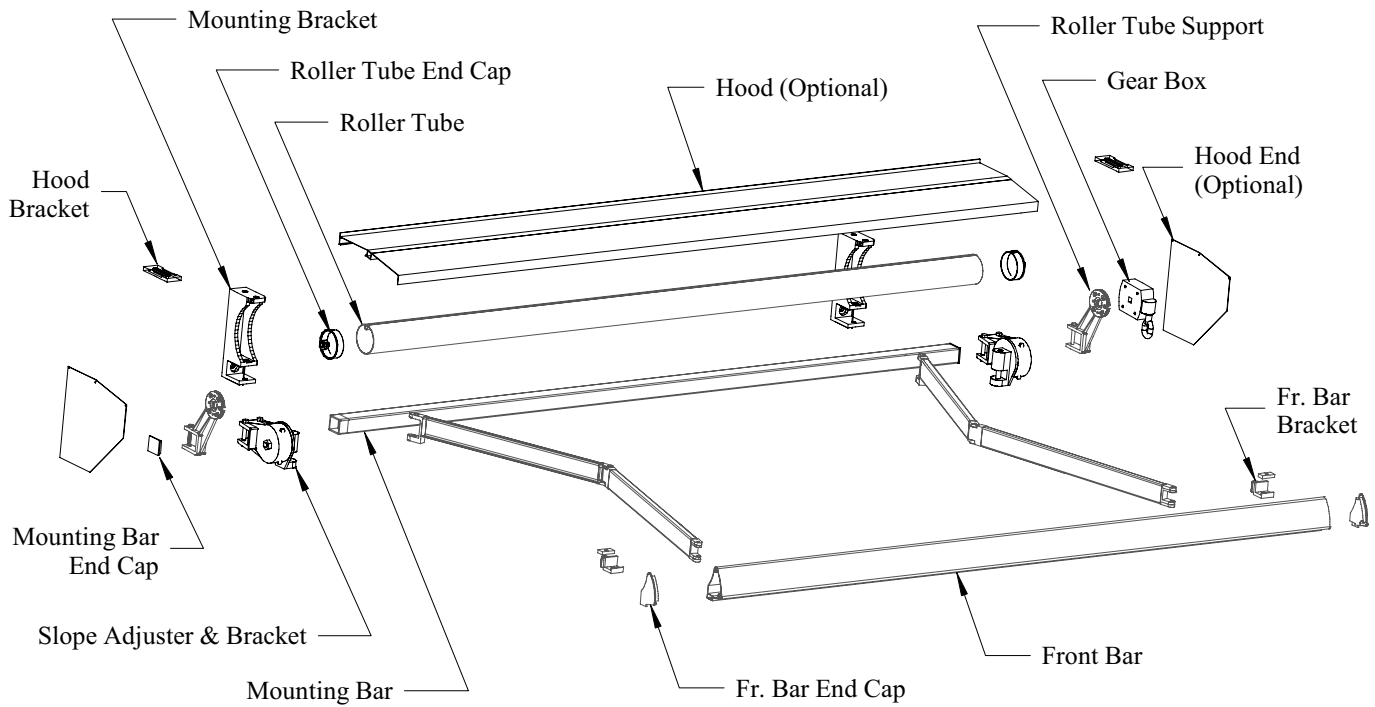
Congratulations on your purchase of a new retractable awning. With proper installation this awning will provide years of trouble free service. Please completely read the instructions before beginning installation. Do not remove protective plastic until the awning is installed. This awning has been completely assembled and tested. You only need to securely fasten the mounting brackets to the wall of your house. The proper type and correct number of brackets have been furnished. Depending on the construction of your house you may need longer screws or masonry anchors to properly mount the brackets. You will need 8 1/2" of clearance over doors and windows (9 1/2" for a Maxi-Arm unit) and there can be no obstructions along the width of the awning. **THE BRACKETS MUST BE SECURELY FASTENED TO A WALL STUD, PLATE, OR SOLID MASONRY.**

Recommended Tools:

Elec. Drill - Carpenter's Level - Wood or Masonry Drill Bit
6mm Allen Wrench (Included w/ Screws) - Chalk Line - Wrench for Mounting Bolts & Screws

Rev'd - 10/31/05

RETRACTABLE AWNING EXPLODED VIEW



STEP 1.

Lay the awning on the ground directly below where it is to be installed. Check and measure the location where the retractable arm is attached to the awning on the square mounting bar. At least one bracket must be within 10" of either side of this point. Do this at both ends. The remaining brackets can be spaced along the awning where a solid mount can be located along the wall.

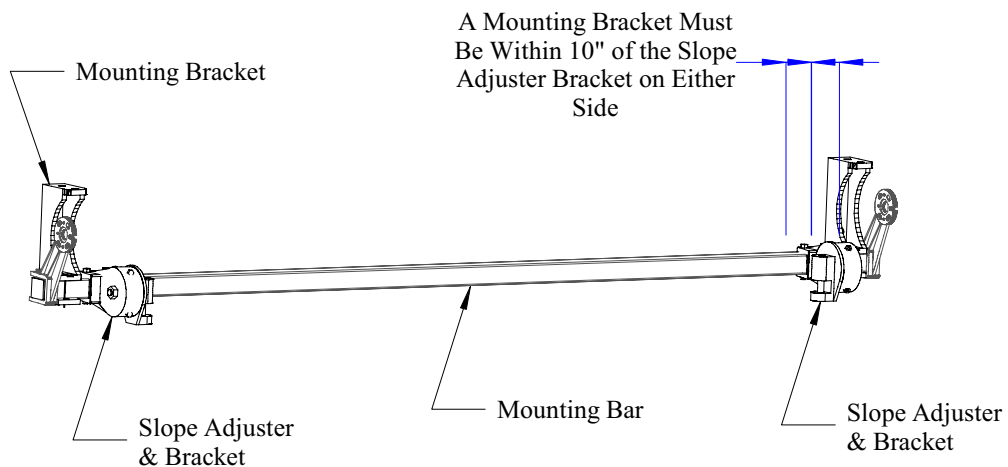
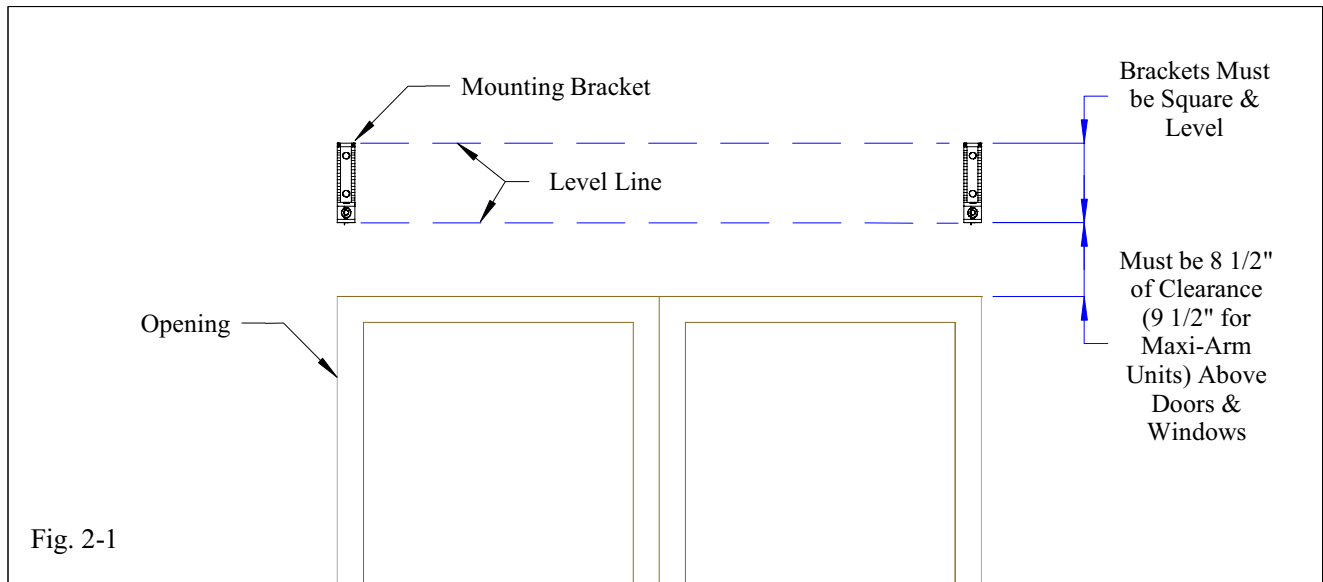


Fig. 1-1

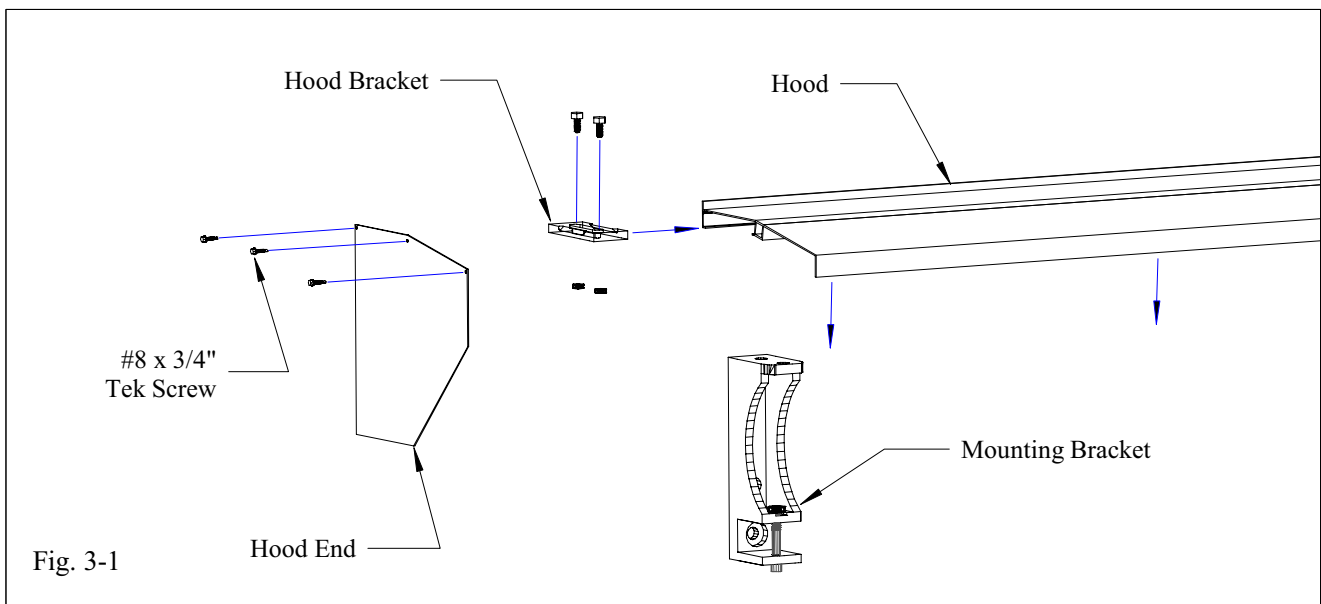
STEP 2.

Now fasten the mounting brackets to the wall. Use a chalk line to help level the brackets. They must be perfectly in line and straight up and down.



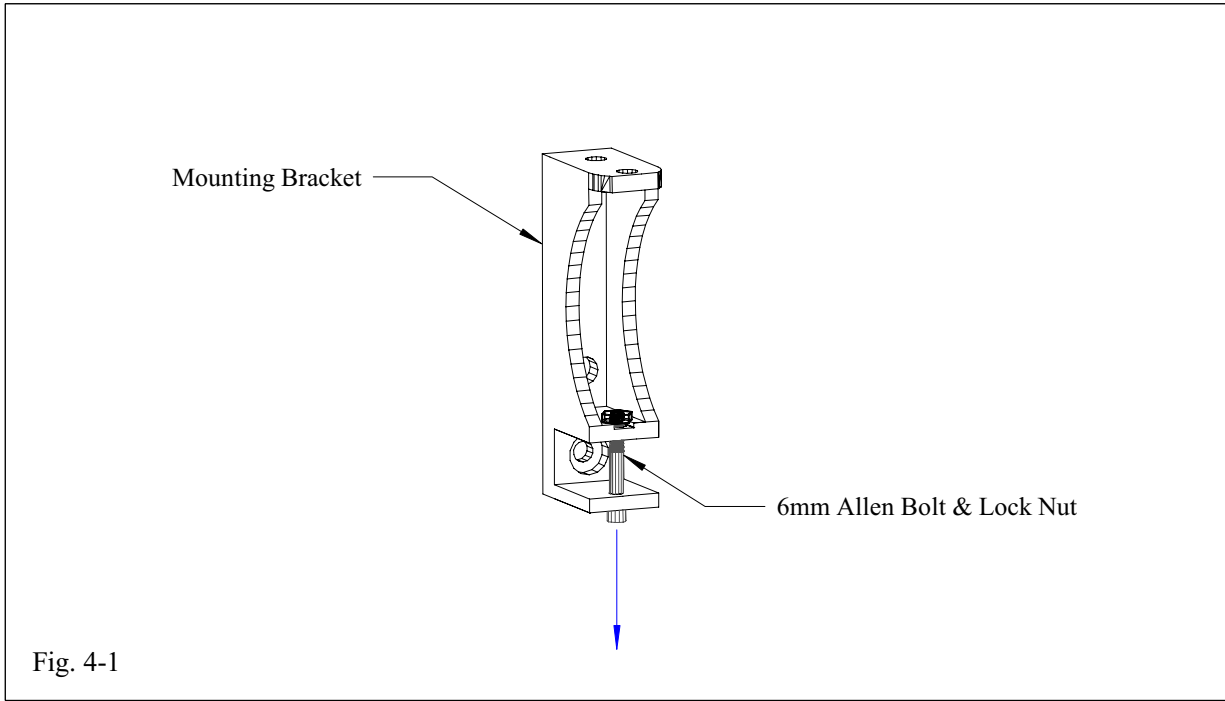
STEP 3.

If an optional hood was ordered, now is the time to install it. The hood fastens to the top of the mounting brackets with 3/8" x 1" nut & bolt. These bolts must be placed in the hood bracket. The head of the bolt goes into the groove of the hood bracket, and then slide the bracket into the bottom side of the hood. Locate them approximately the same distance apart as the brackets on the wall. Raise the hood on top of the mounting brackets and secure with 3/8" hex. nuts through the top of the bracket. Now fasten the end caps into the end of the hood, aligning holes with screw grooves in the end of the hood.



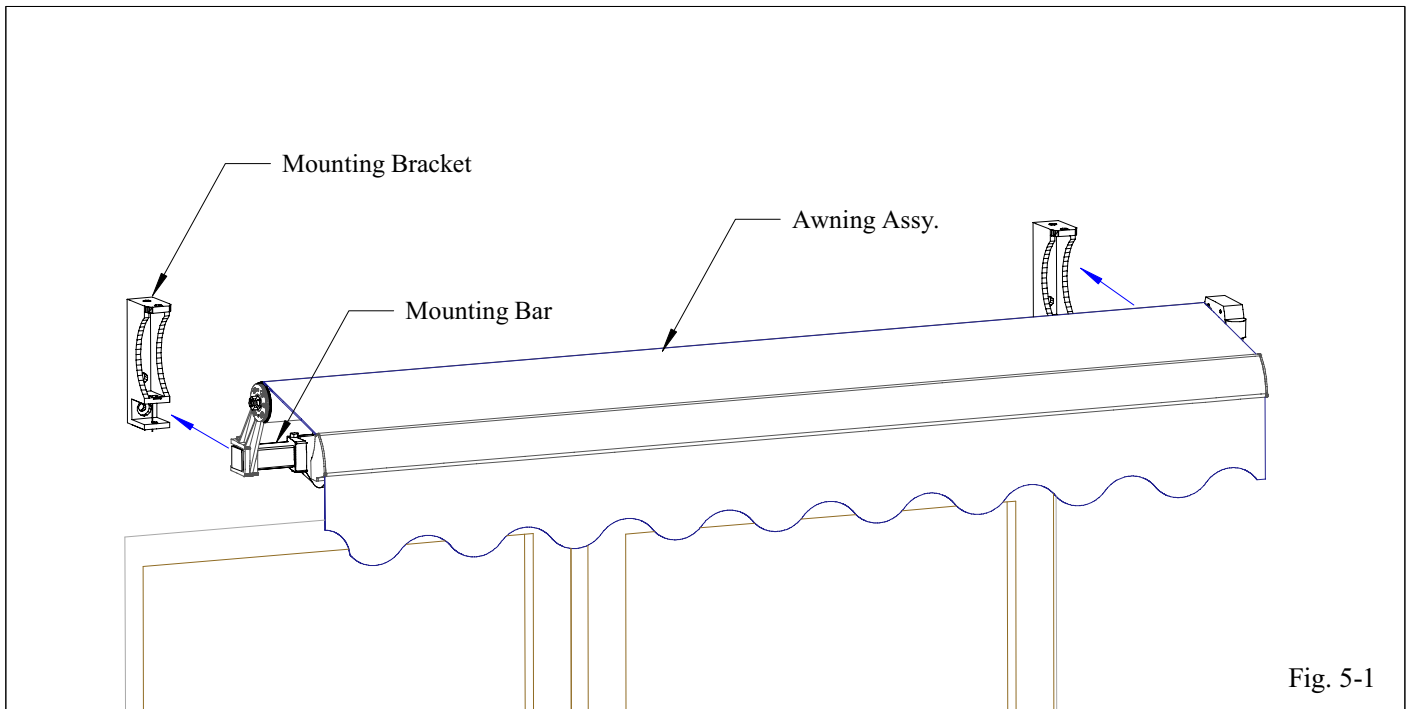
STEP 4.

There are allen head retaining bolts on the brackets. Use your 6mm allen wrench to remove these.



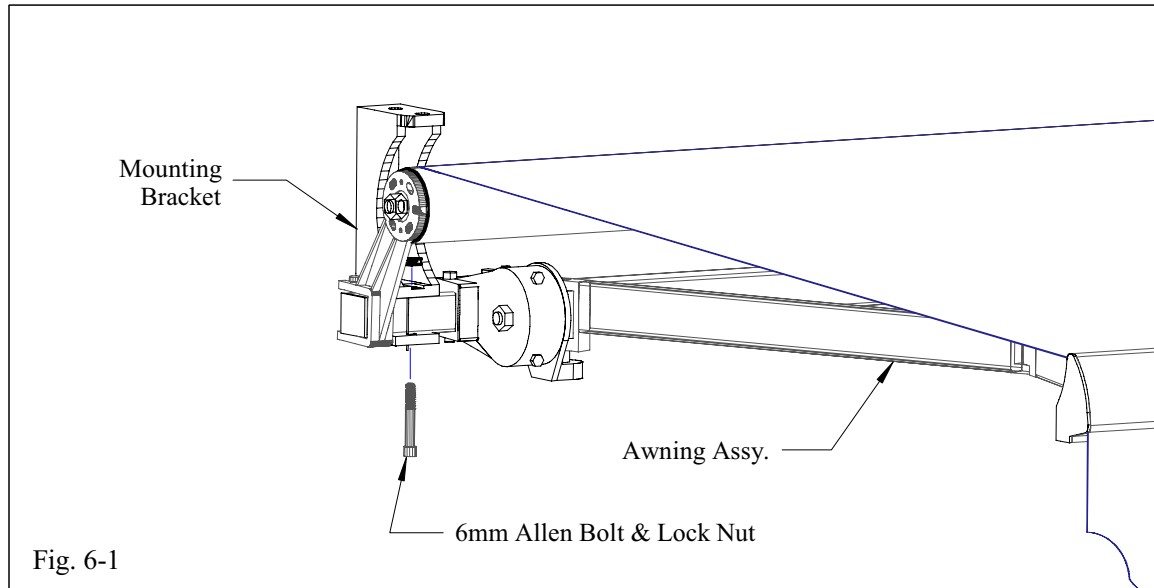
STEP 5.

Now simply lift the awning and place the square mounting bar into the slots in the mounting brackets.



STEP 6.

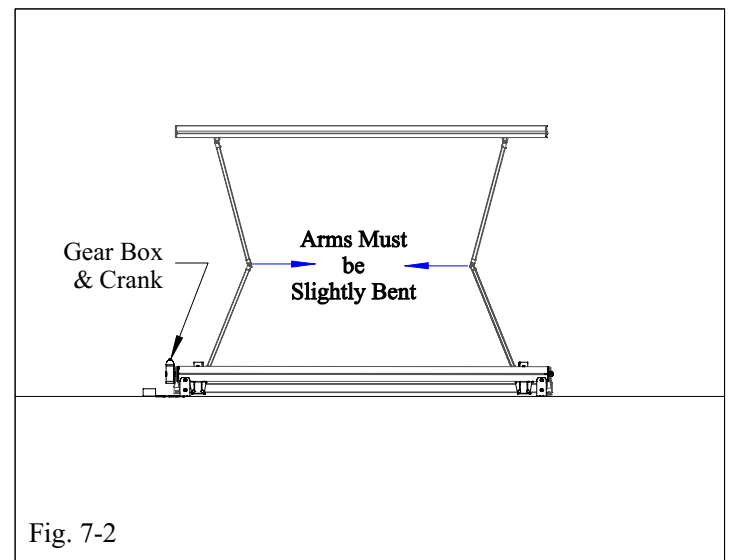
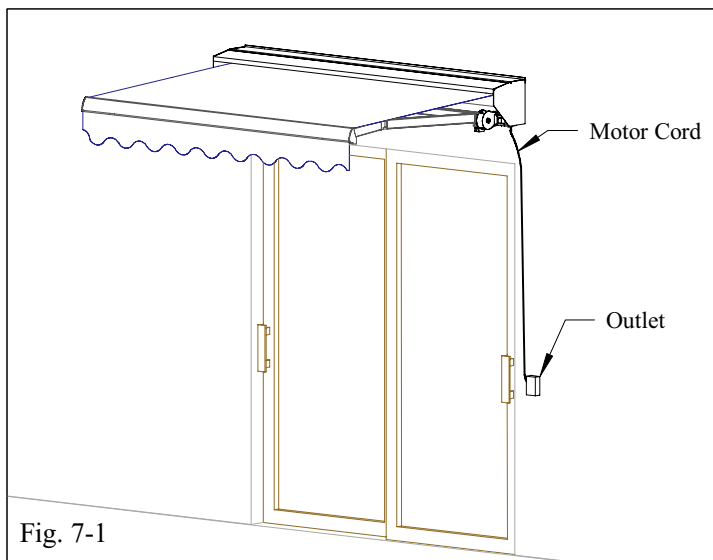
Reinstall the allen head retaining bolt (lock nut on top) and tighten (see Fig 6-1).



Note: When complete with Step 6 remove the plastic from the awning. On the arms you will find plastic sleeves. Slide these towards the center of the awning and remove. Keep these as they maybe needed at a future time if repairs are necessary.

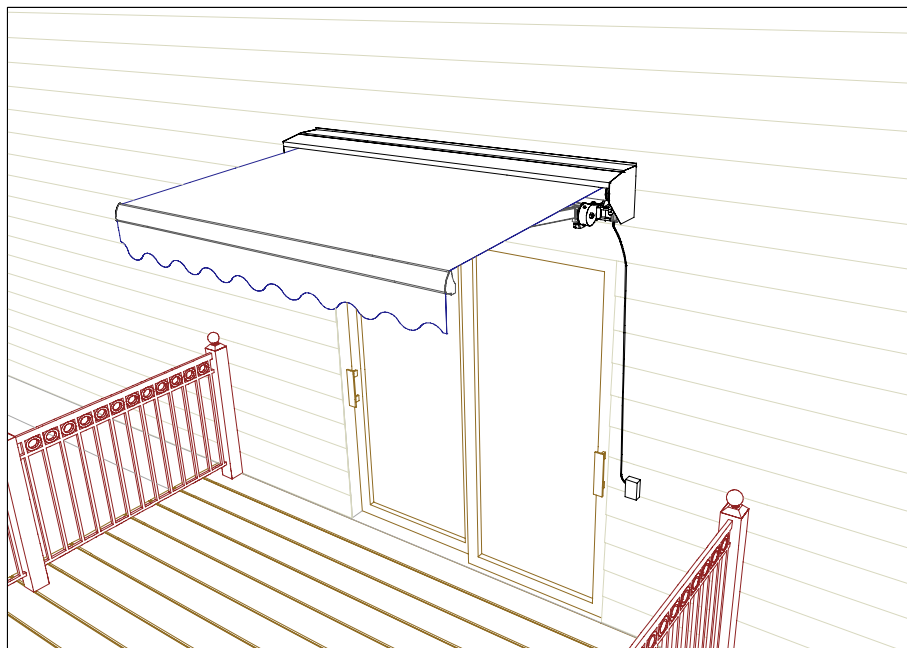
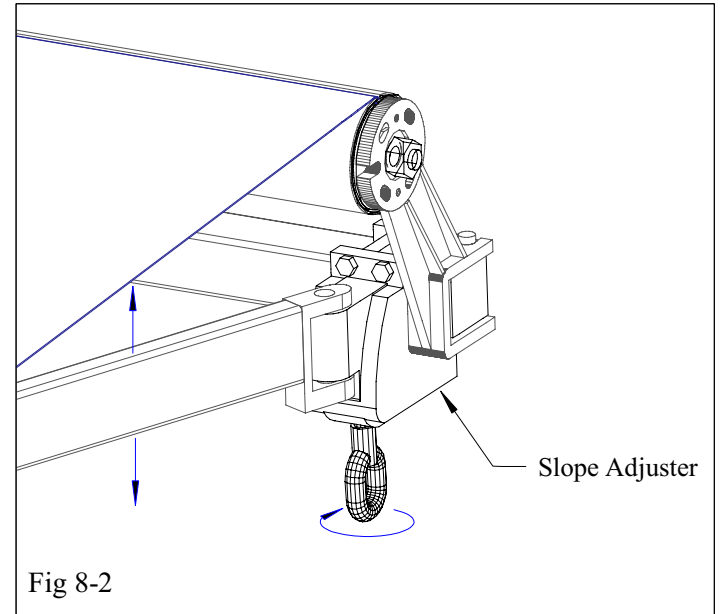
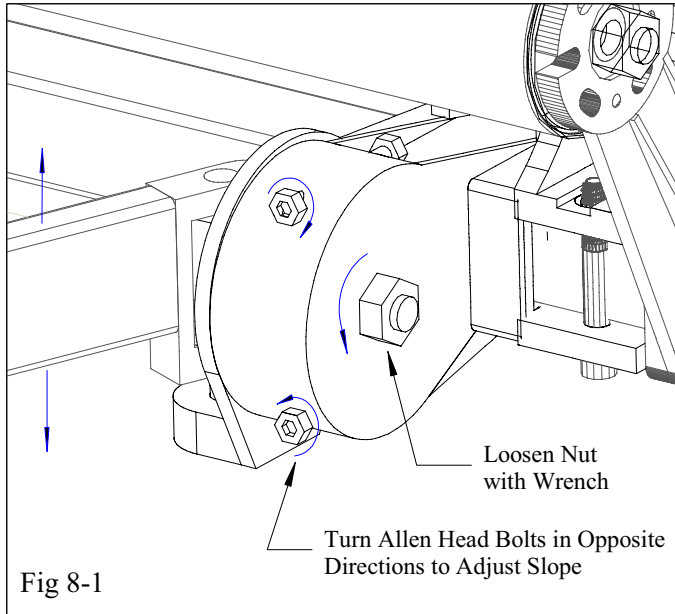
STEP 7.

You are now ready to extend the awning. If your awning is equipped with an optional motor, plug the cord into a 110 volt outlet and push the down arrow button on the remote control. The awning will extend to its maximum projection and automatically stop. (Notice the arms are not fully straight.) **THIS IS CORRECT. IN ORDER TO MAINTAIN FABRIC TENSION THEY MUST BE SLIGHTLY BENT AT THE ELBOW** (see Fig 7-2). To retract the awning, push the UP arrow button. The awning will automatically stop when fully retracted. If your awning is equipped for manual operation simply use the crank handle and turn the gear box crank until the awning is extended. If your awning came with a wind or sun sensor just plug the cord into an outlet and refer to the instructions that were sent w/ the sensor.



STEP 8.

Adjusting the slope. For awnings up to 10' projection use the crank handle to adjust the pitch or slope. Simply turn the eye on the slope adjuster and the pitch will change (see Fig. 8-2). Each arm must be adjusted. On awnings using maxi-arms you will need a crescent wrench and a 6mm allen wrench to adjust the slope. Loosen the acorn nut on the slope adjuster. Then turn the allen bolts on the slope adjuster bracket. There are two allen bolts. One must be turned one way and the other the opposite way. The awning pitch will move up or down (see Fig 8-1). **YOU WILL NEED ANOTHER PERSON TO SUPPORT THE AWNING AT THE OUTER EDGE TO MAKE ADJUSTING EASIER.** After the desired slope is reached tighten acorn nut on the slope adjuster.



IT IS IMPORTANT TO REMEMBER THAT THIS AWNING IS PRIMARILY A SHADING DEVICE. IT MUST BE RETRACTED IN RAIN AND HIGH WINDS. IF RAIN OR HIGH WINDS ARE A POSSIBILITY, DO NOT LEAVE THE AWNING EXTENDED WHILE UNATTENDED.