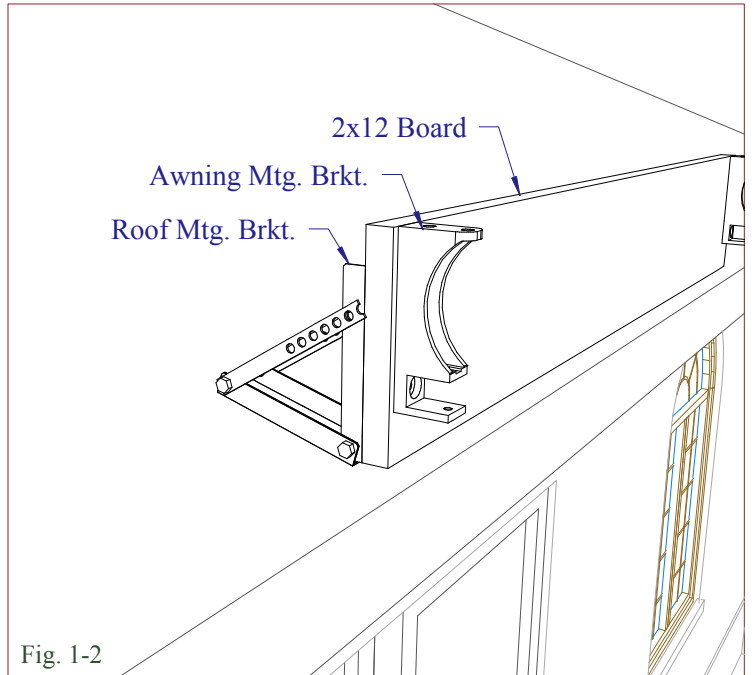
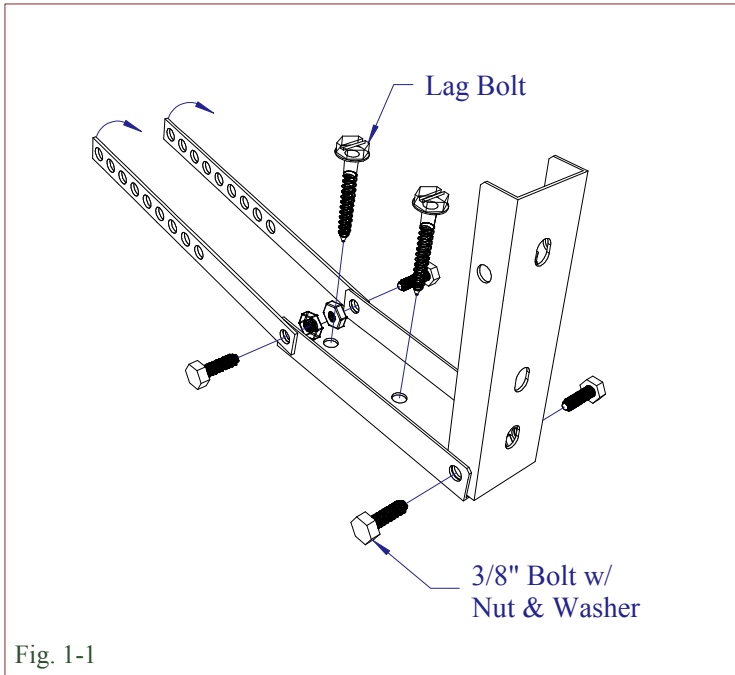


STEP 1

Rev. 7/06/10

Construct the roof mounting bracket as shown in Fig. 1-1. Locate a structural member such as a rafter or a truss and lag the roof mounting bracket to it using 3 - Lag Bolts (see Fig. 1-1). Raise the vertical section until it is at a 90 degree angle with the ground and bolt it to the two braces through the nearest hole with 3/8" Bolt w/ Nut & Washer. Cut any excess length off the two braces so it does not go more than 1/2" past the flat surface of the vertical section.

OPTIONAL: For extra awning protection and easy mounting bracket placement, attach a 2x12 board to the roof mounting bracket and attach the awning mounting brackets near the top of the 2x12 board (see Fig. 1-2).



STEP 2

Locate and secure the awning mounting bracket to the roof mounting bracket using 3 - 1/2" bolts w/ nuts & washers (see Fig. 2-1). Hoist the awning assembly into position and anchor the mounting bar to the awning mounting bracket using 1 - 6mm Allen Bolt and lock nut per bracket (see Fig. 2-2).

