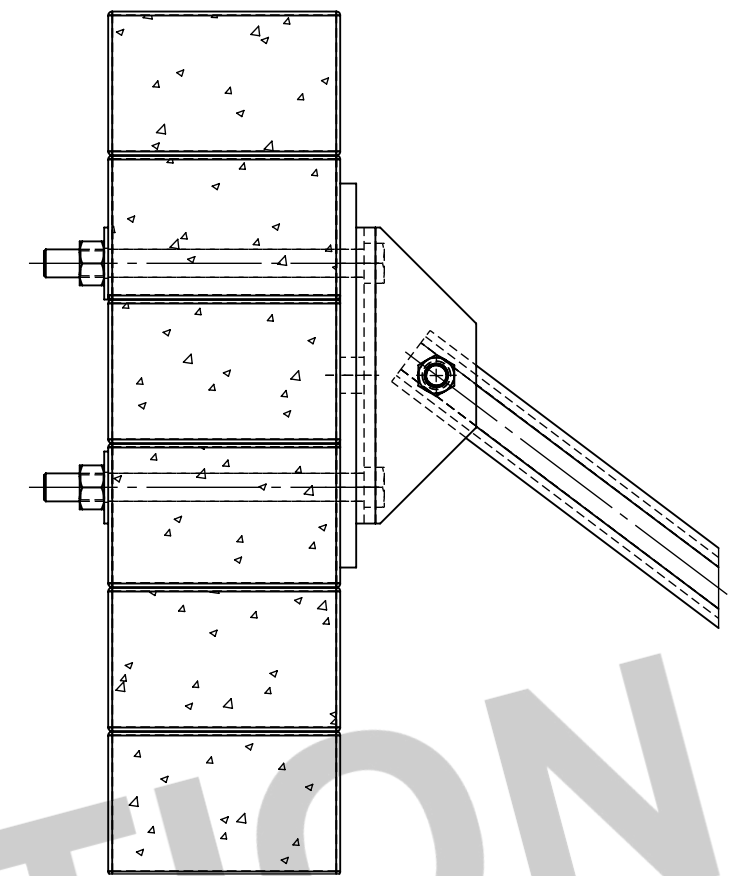
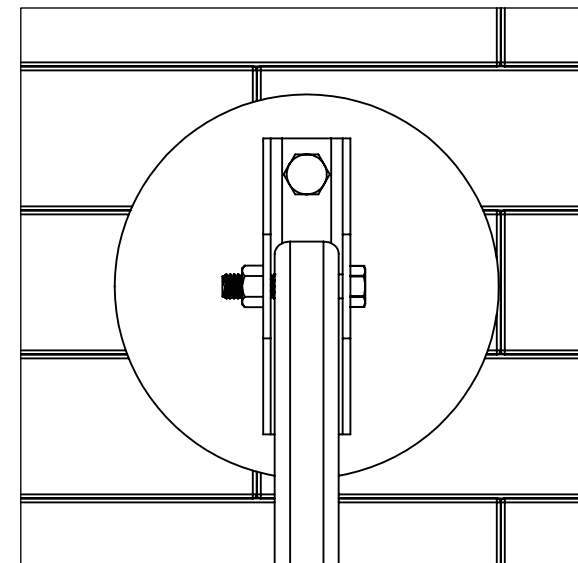
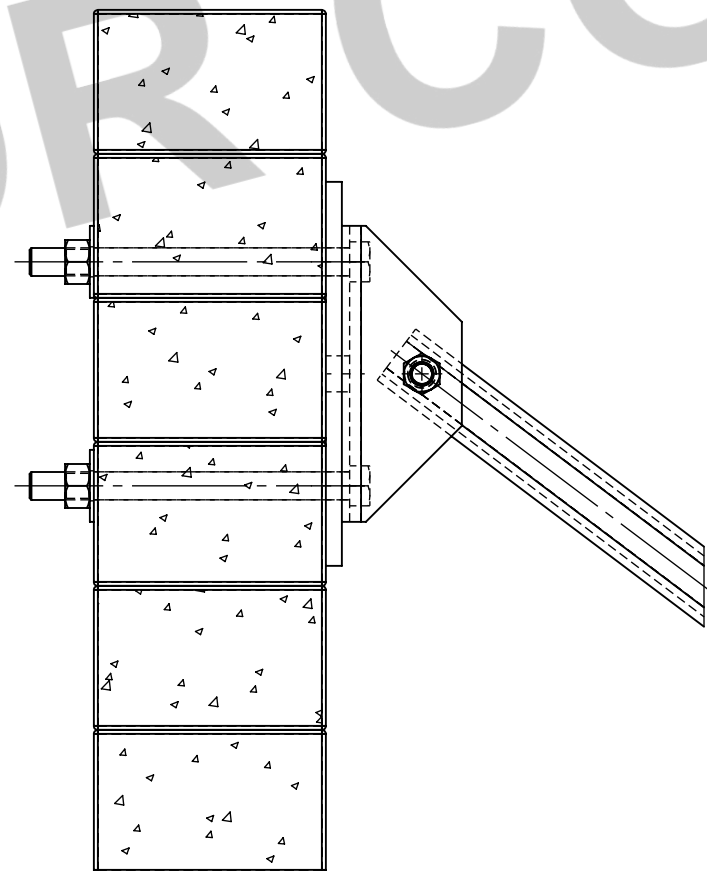
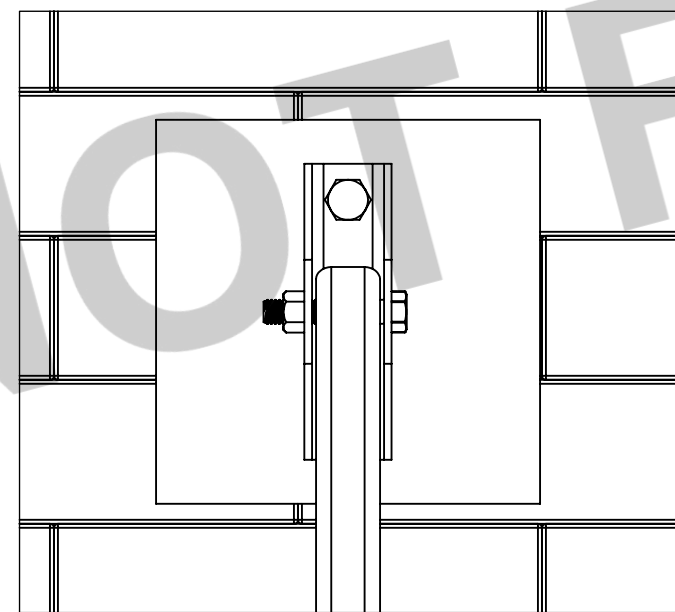


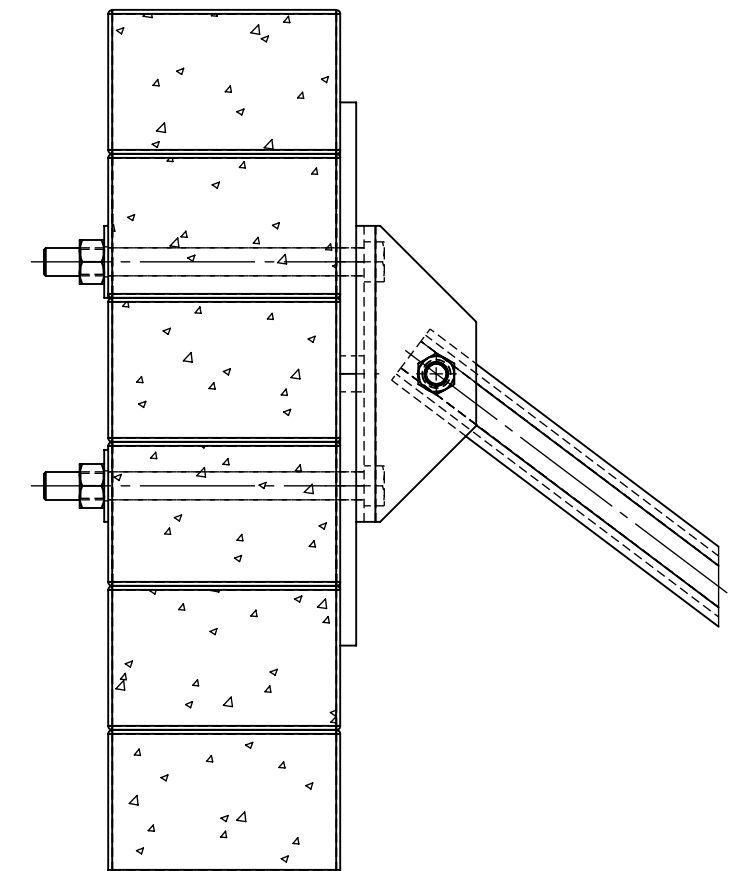
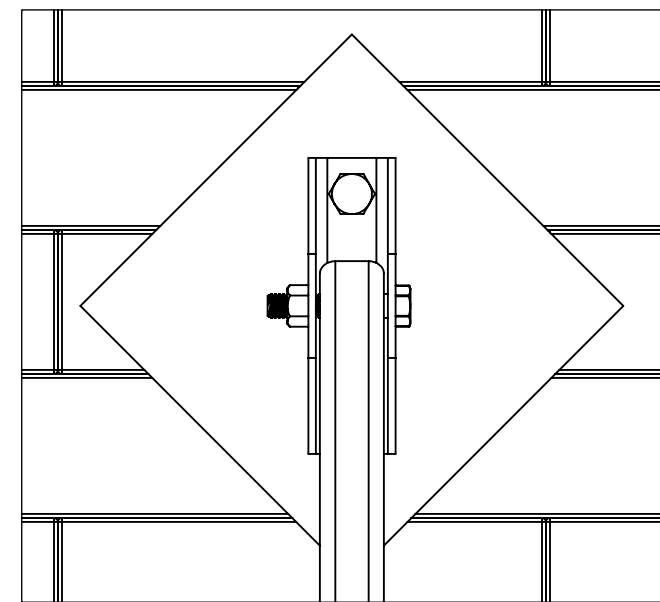
**BRICK WALL MOUNT DETAIL**



**BRICK WALL CIRCLE WALL PLATE MOUNT DETAIL**



**BRICK WALL SQUARE WALL PLATE MOUNT DETAIL**



**BRICK WALL DIAMOND WALL PLATE MOUNT DETAIL**

SEAL

ENGINEER

MANUFACTURER  
 AMERICANA OUTDOORS  
 ADDRESS: #2 INDUSTRIAL DRIVE  
 SALEM, IL 62881  
 PHONE: (800) 851-0865  
 WEB: www.americana.com

PROJECT / LOCATION

MODEL  
 IMPERIAL MARQUEE  
 WALL MOUNTS

DWG. NO.

JOB NO.

P.O. NO.

DRAWN BY

DR

CHECKED BY

DRAWN DATE

9/25/2024

REVISE DATE

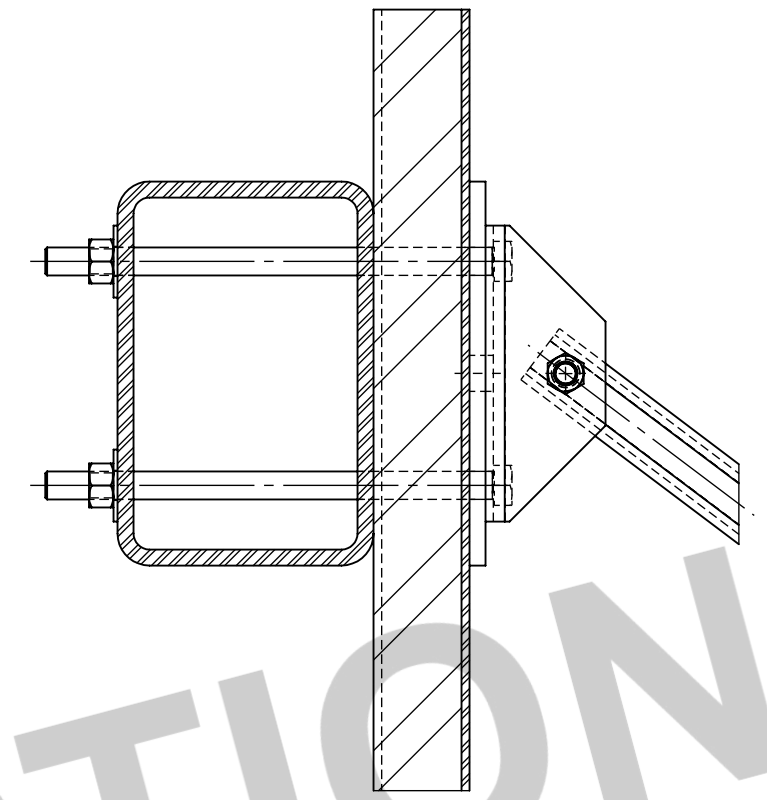
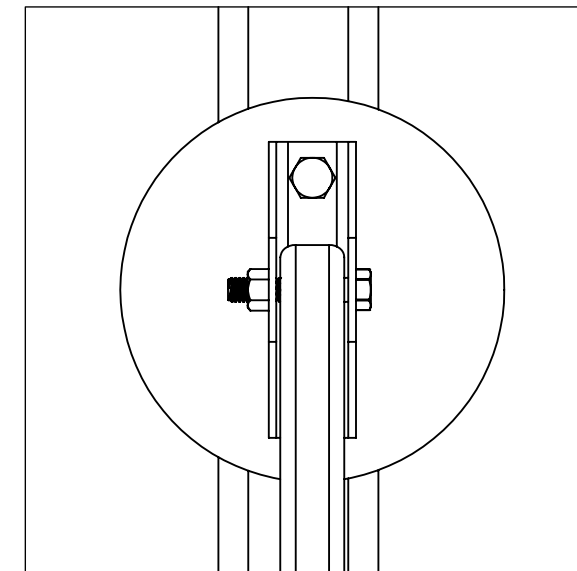
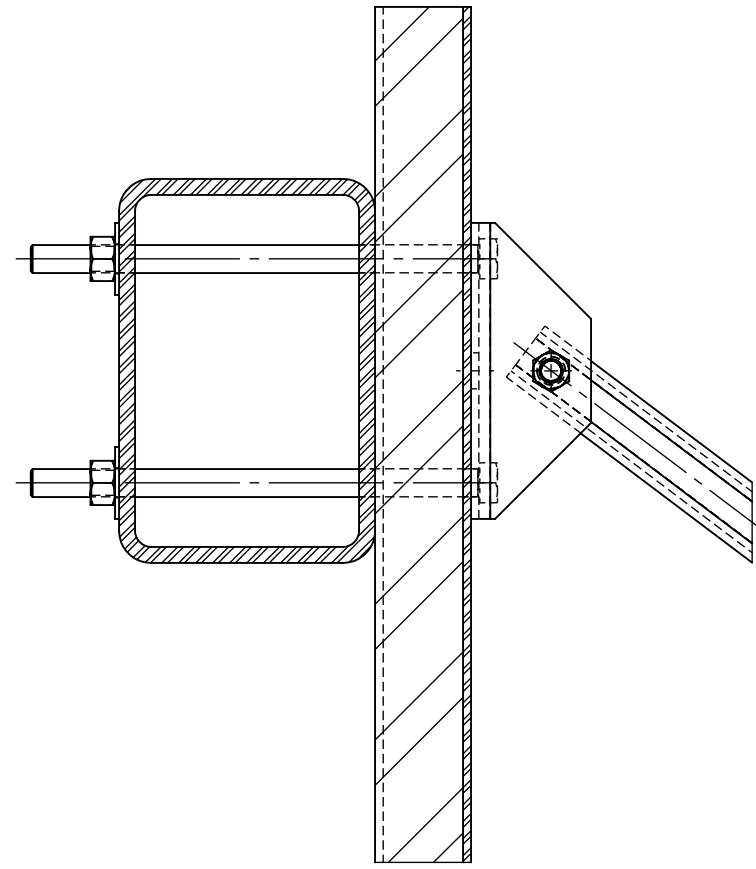
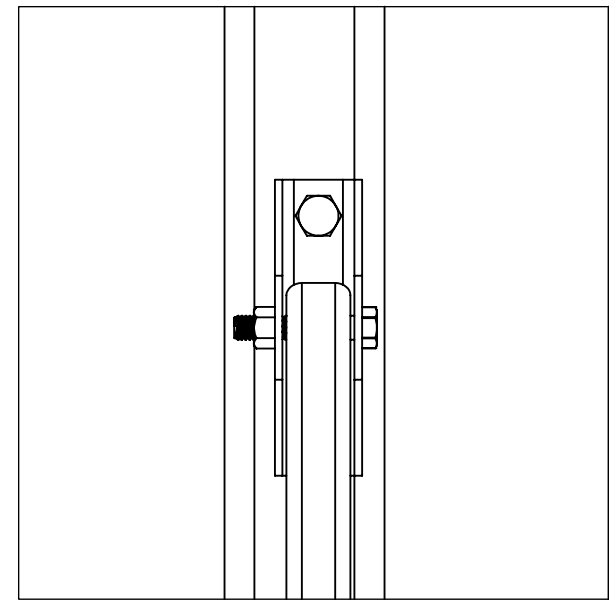
SHEET

**BRICK**

OF 4 SHEETS

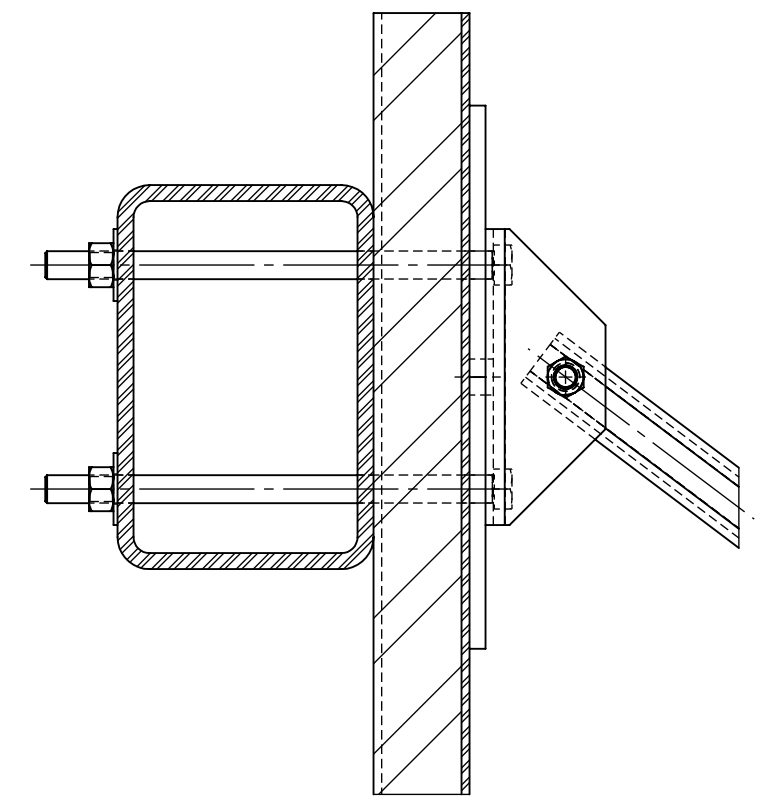
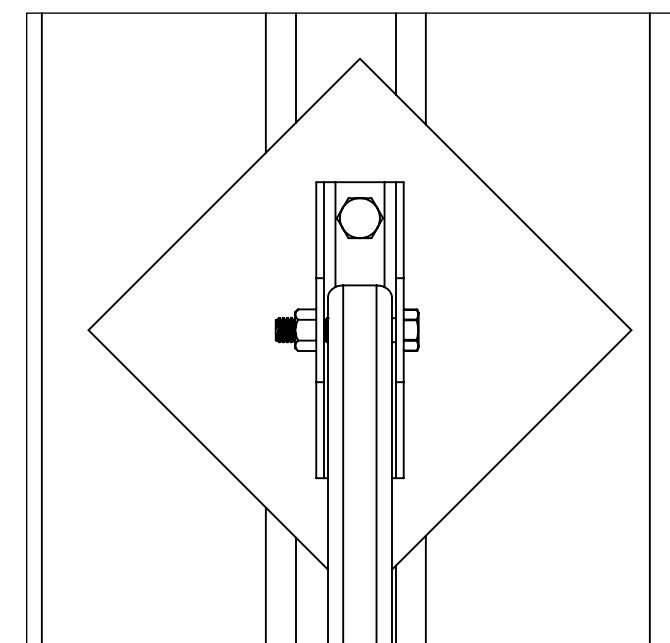
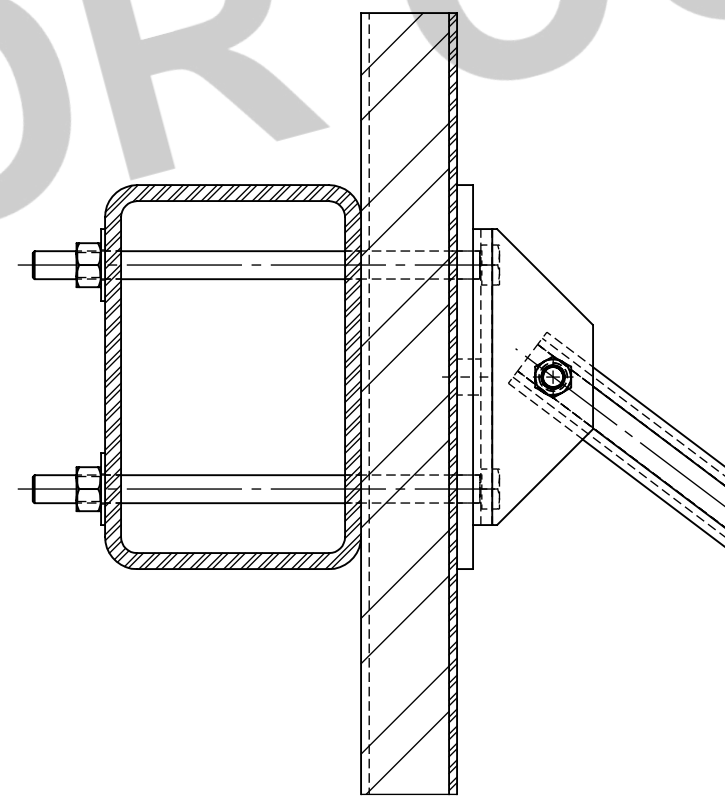
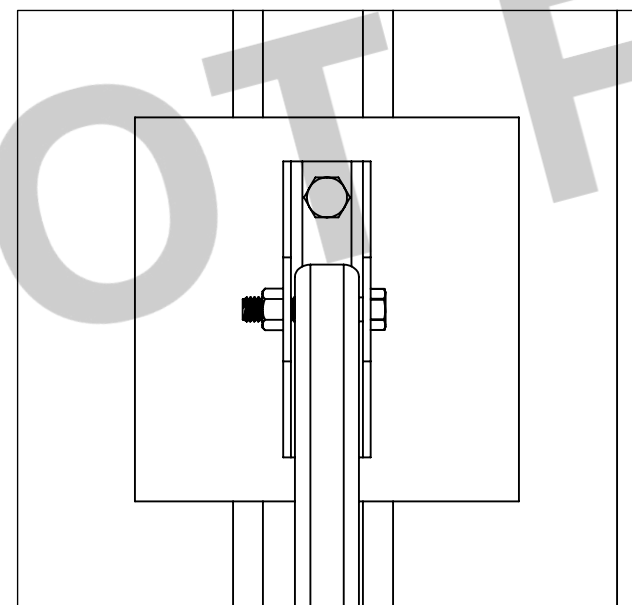


**METAL WALL SIDING PROFILE**



**METAL WALL MOUNT DETAIL**

**METAL WALL CIRCLE WALL PLATE MOUNT DETAIL**



**METAL WALL SQUARE WALL PLATE MOUNT DETAIL**

**METAL WALL DIAMOND WALL PLATE MOUNT DETAIL**

SEAL

ENGINEER

MANUFACTURER  
AMERICANA OUTDOORS  
ADDRESS: #2 INDUSTRIAL DRIVE  
SALEM, IL 62881  
PHONE: (800) 851-0865  
WEB: www.americana.com

PROJECT / LOCATION

MODEL  
IMPERIAL MARQUEE  
WALL MOUNTS

DWG. NO.

JOB NO.

P.O. NO.

DRAWN BY

DR

CHECKED BY

DRAWN DATE

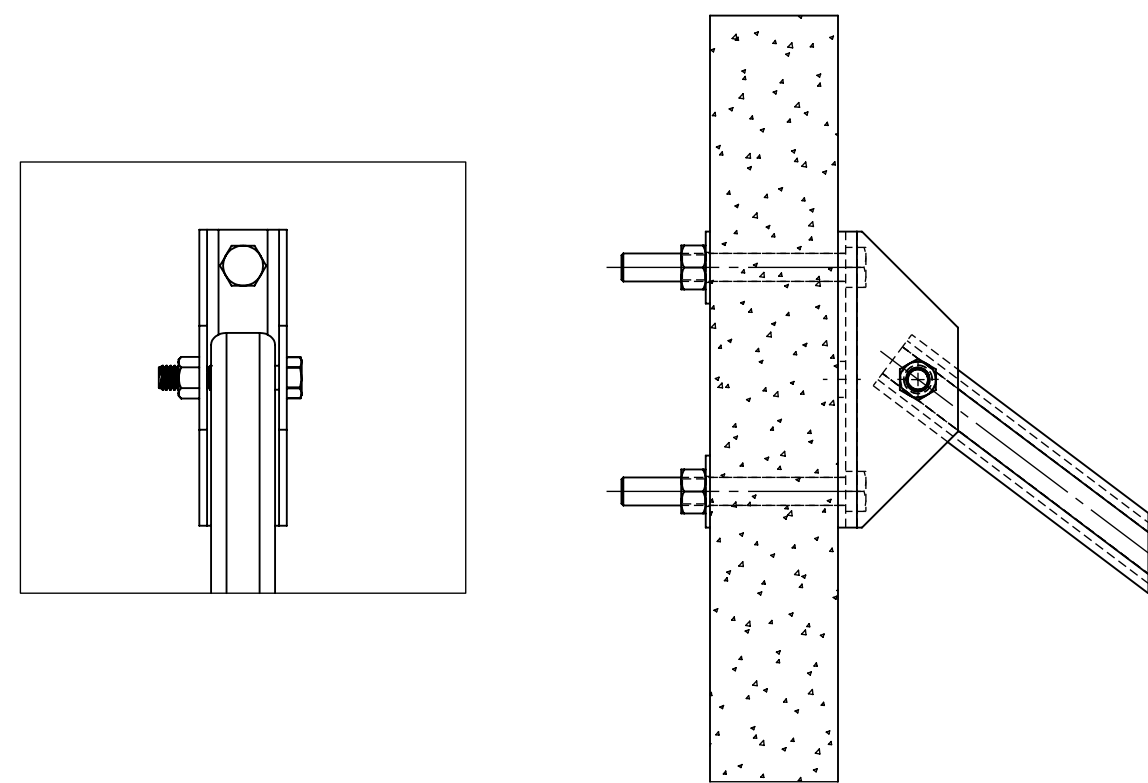
9/25/2024

REVISE DATE

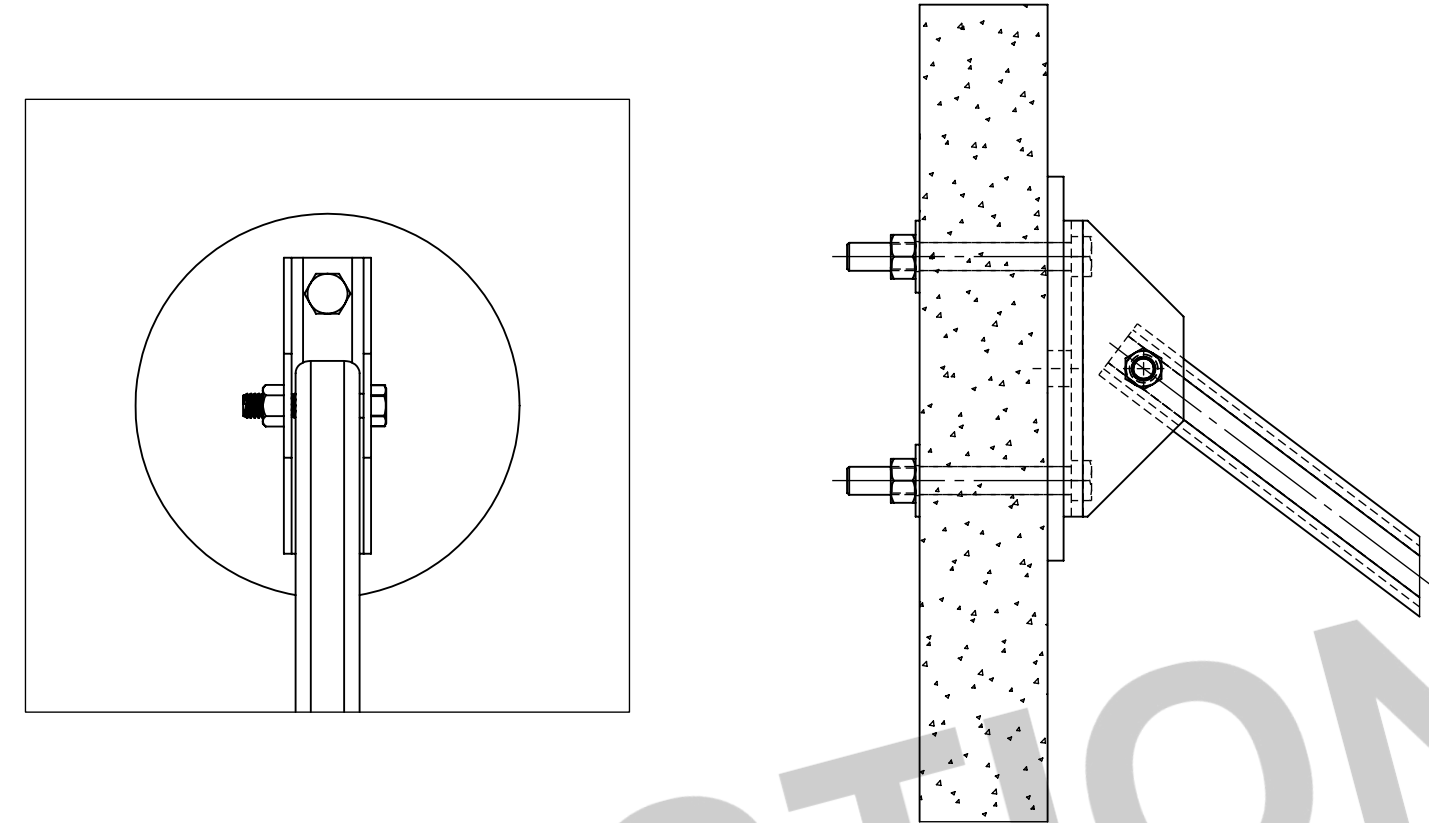
SHEET

METAL

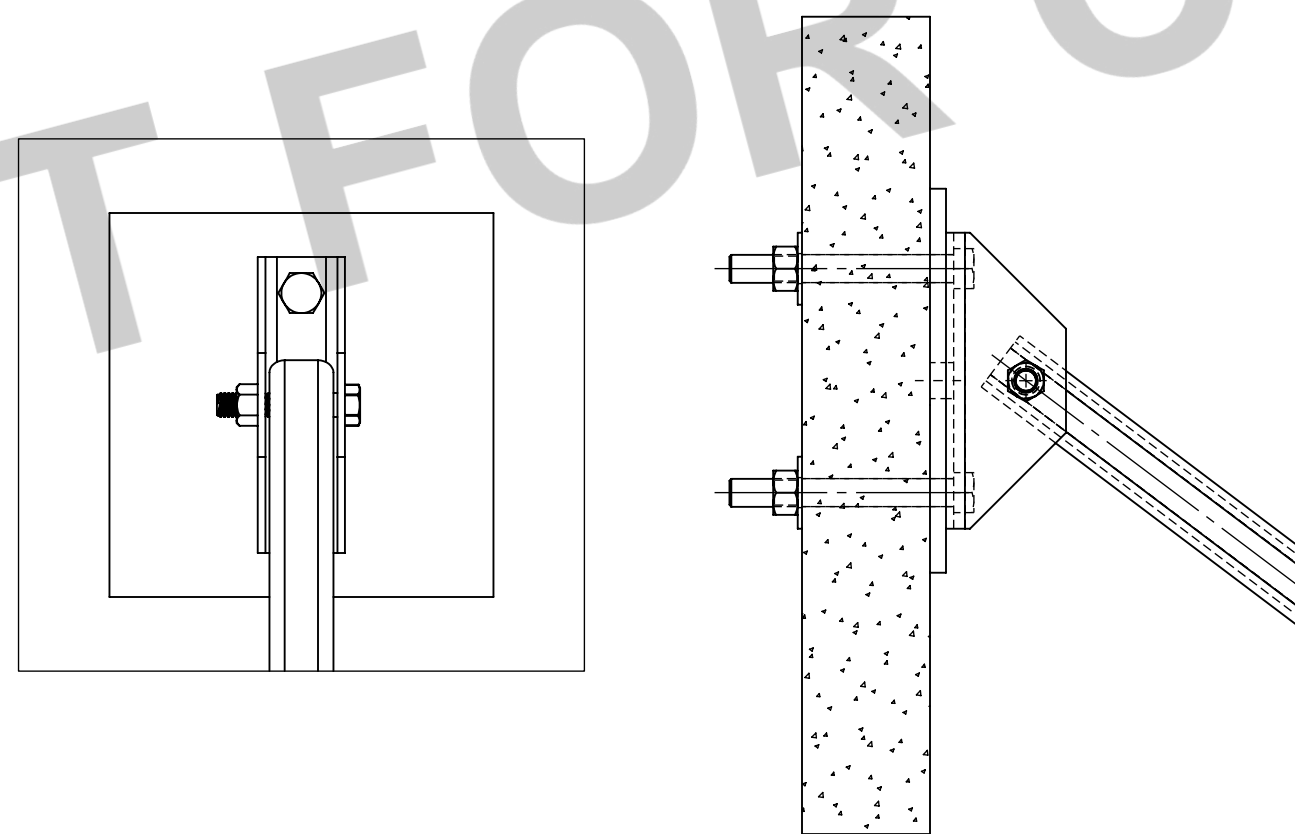
OF 4 SHEETS



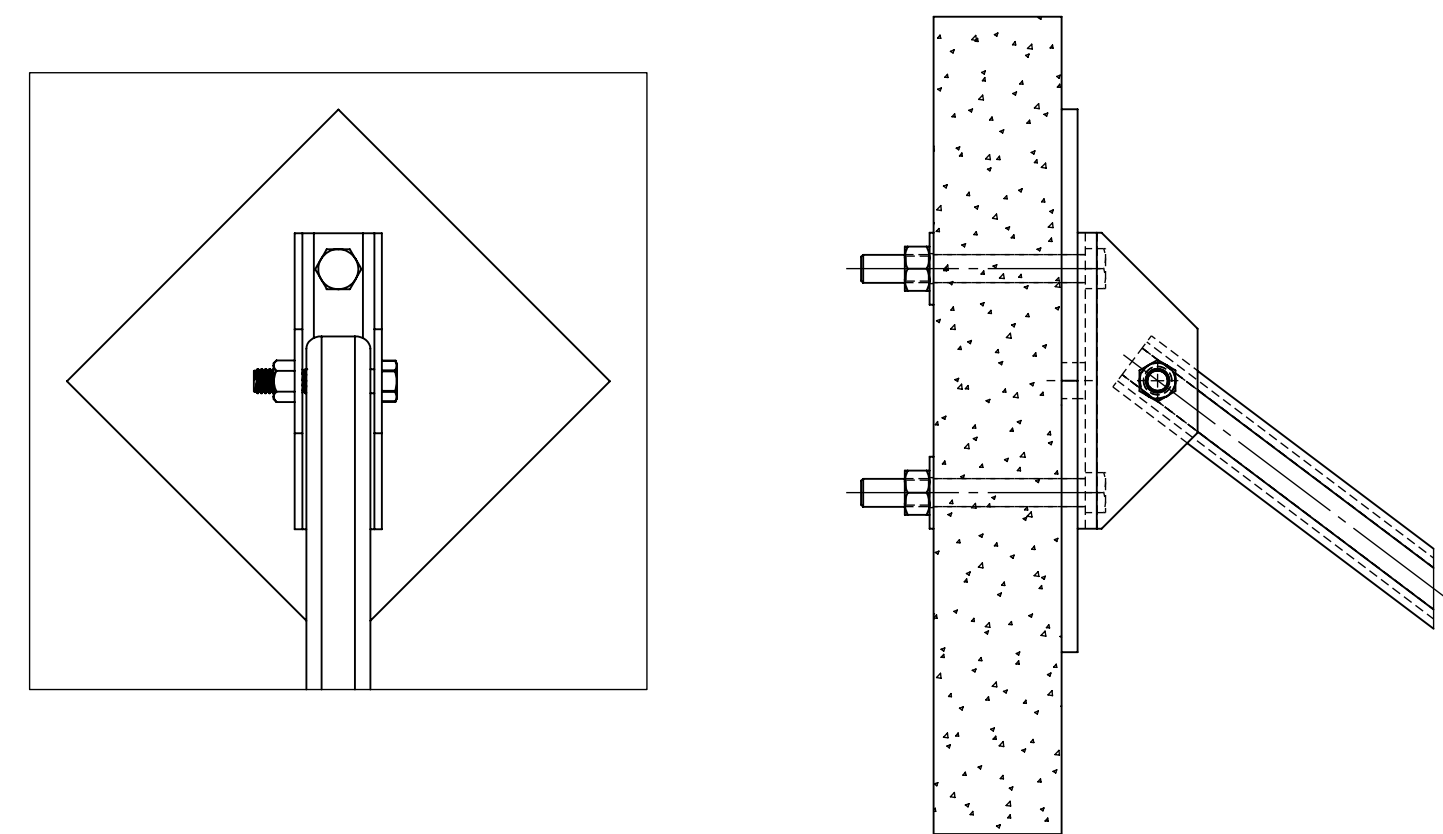
**TILT-UP WALL MOUNT DETAIL**



**TILT-UP WALL CIRCLE WALL PLATE MOUNT DETAIL**



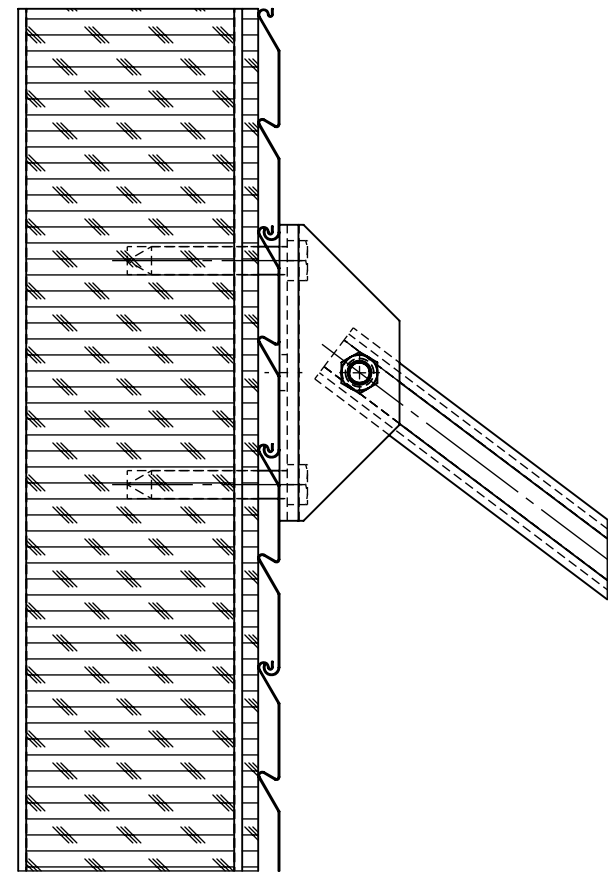
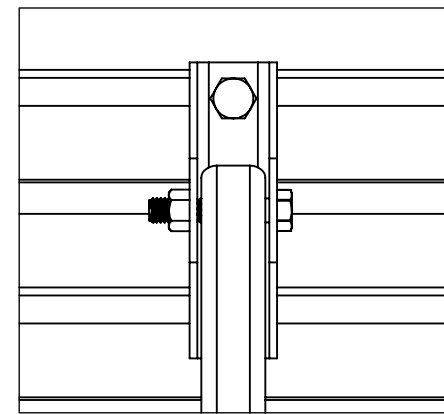
**TILT-UP WALL SQUARE WALL PLATE MOUNT DETAIL**



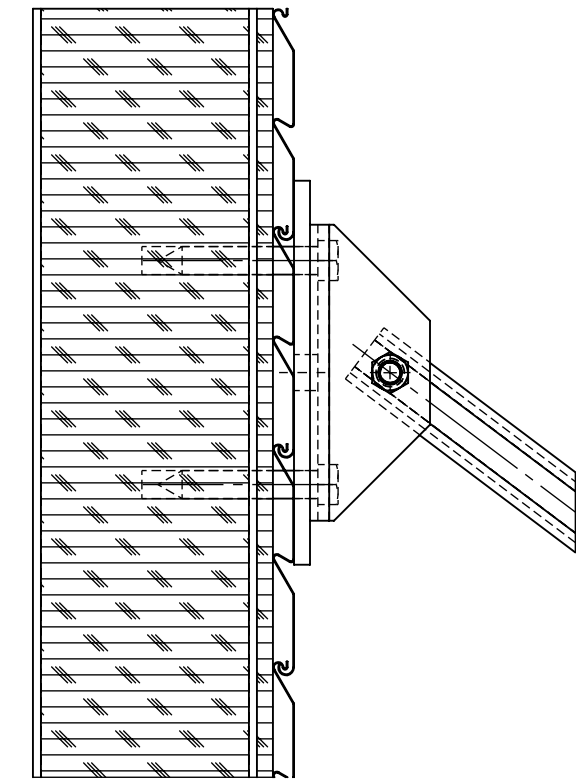
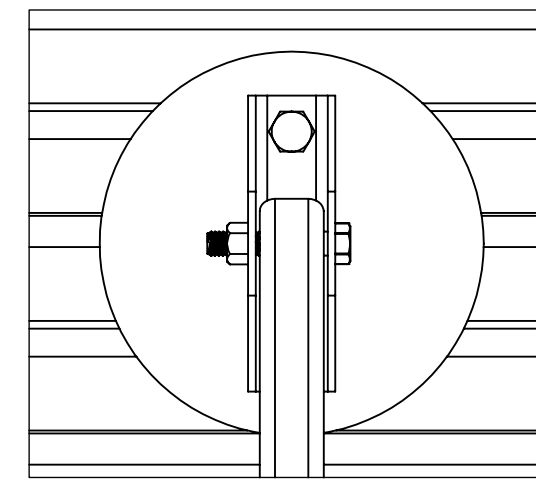
**TILT-UP WALL DIAMOND WALL PLATE MOUNT DETAIL**

SEAL

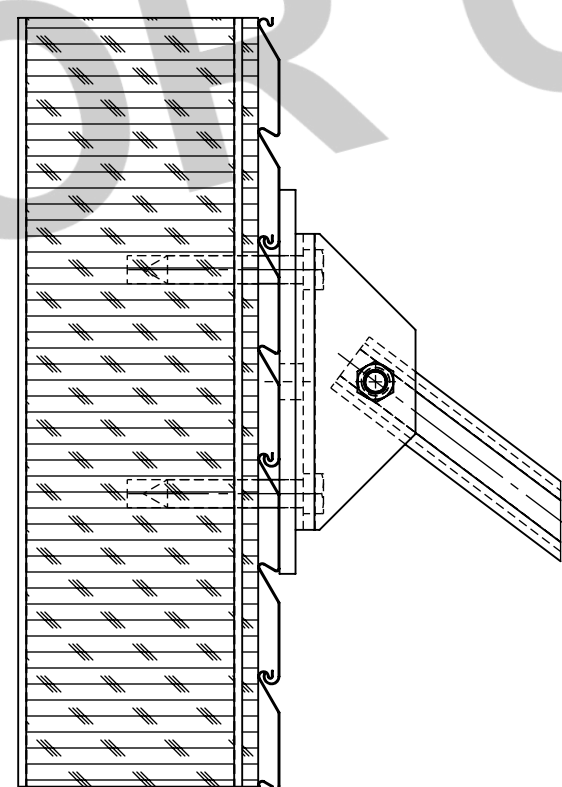
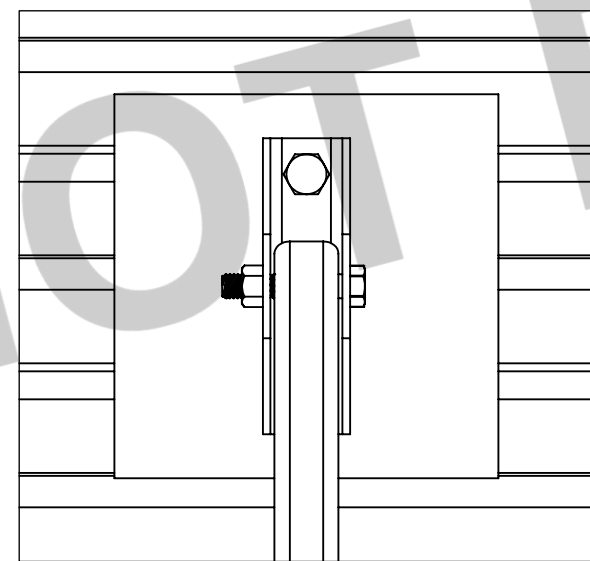
ENGINEER	MANUFACTURER AMERICANA OUTDOORS ADDRESS: #2 INDUSTRIAL DRIVE SALEM, IL 62881 PHONE: (800) 851-0865 WEB: www.americana.com	PROJECT / LOCATION	MODEL IMPERIAL MARQUEE WALL MOUNTS	DWG. NO.	DRAWN BY DR	DRAWN DATE 9/25/2024	SHEET TILT UP
				JOB NO.	CHECKED BY	REVISE DATE	OF 4 SHEETS
				P.O. NO.			



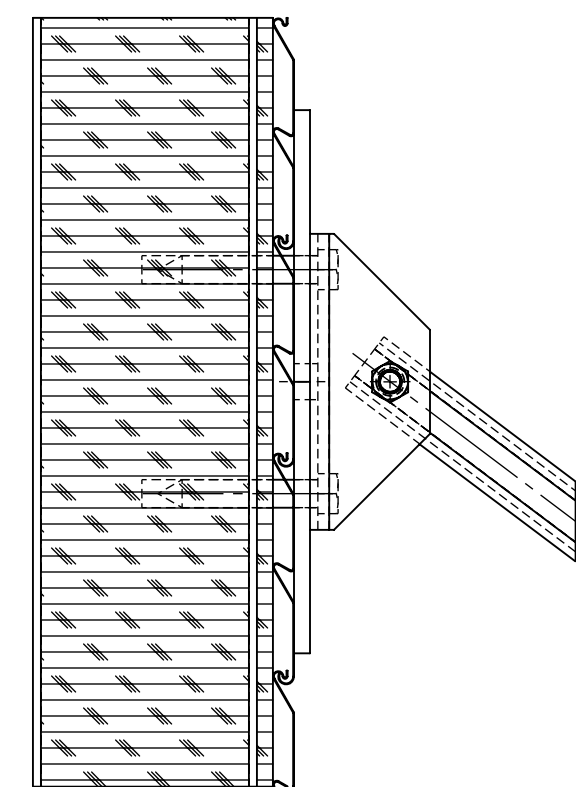
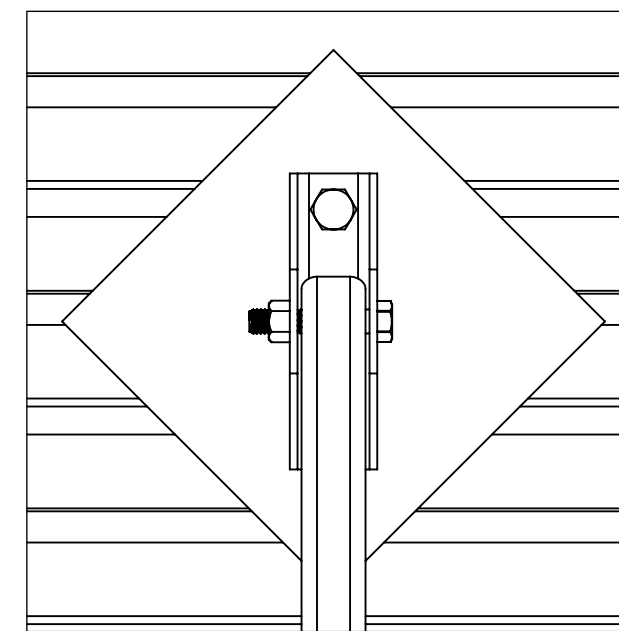
**RESIDENTIAL WALL MOUNT DETAIL**



**RESIDENTIAL WALL CIRCLE WALL PLATE MOUNT DETAIL**



**RESIDENTIAL WALL SQUARE WALL PLATE MOUNT DETAIL**



**RESIDENTIAL WALL DIAMOND WALL PLATE MOUNT DETAIL**

SEAL

ENGINEER

MANUFACTURER  
 AMERICANA OUTDOORS  
 ADDRESS: #2 INDUSTRIAL DRIVE  
 SALEM, IL 62881  
 PHONE: (800) 851-0865  
 WEB: www.americana.com

PROJECT / LOCATION

MODEL  
 IMPERIAL MARQUEE  
 WALL MOUNTS

DWG. NO.

JOB NO.

P.O. NO.

DRAWN BY

DR

CHECKED BY

DRAWN DATE

9/25/2024

REVISE DATE

SHEET

OF 4 SHEETS

RESIDENTIAL